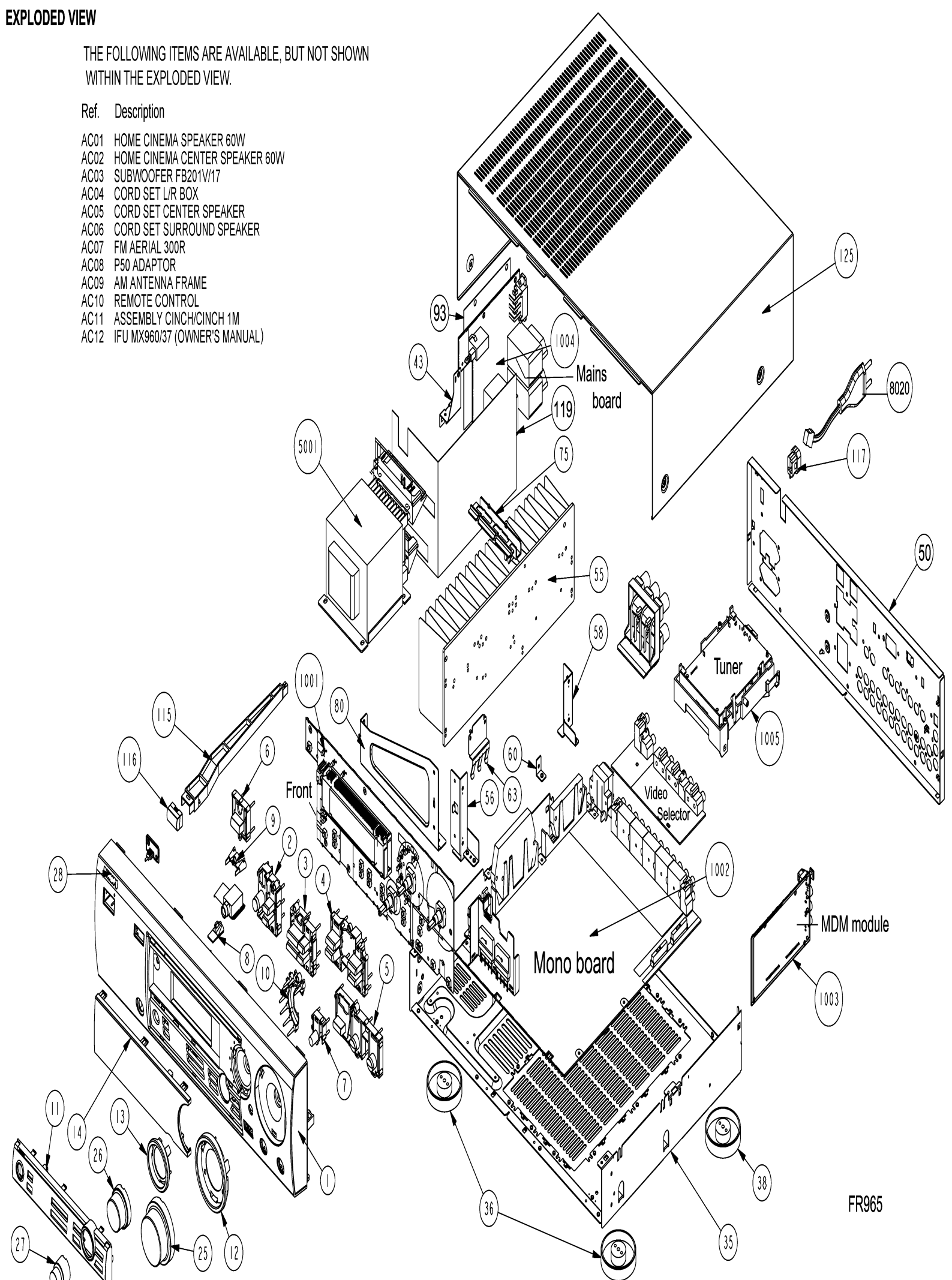


EXPLODED VIEW

THE FOLLOWING ITEMS ARE AVAILABLE, BUT NOT SHOWN WITHIN THE EXPLODED VIEW.

Ref. Description

- AC01 HOME CINEMA SPEAKER 60W
- AC02 HOME CINEMA CENTER SPEAKER 60W
- AC03 SUBWOOFER FB201V/17
- AC04 CORD SET L/R BOX
- AC05 CORD SET CENTER SPEAKER
- AC06 CORD SET SURROUND SPEAKER
- AC07 FM AERIAL 300R
- AC08 P50 ADAPTOR
- AC09 AM ANTENNA FRAME
- AC10 REMOTE CONTROL
- AC11 ASSEMBLY CINCH/CINCH 1M
- AC12 IFU MX960/37 (OWNER'S MANUAL)



FR965

SCALE 0.250

Note: Only the parts mentioned in this list are normal service parts.

GENERAL INFORMATION

Manual 1962 Covering the FR963DHT (FR963/17), FR965DHT (FR965/17), MX955DHT (MX955D/37), MX960DHT (MX960D/37), and MX970DHT (MX970D/37) Digital A/V Surround Receivers

Display Product View

SYSTEM INFORMATION

Receiver	Front speaker	Center Box	Surround Box	Subwoofer
MX 960D/37 includes :				
FR965/17	2 x Home Cinema Speaker 60W	Home Cinema Center Speaker 50W	2 x Home Cinema Speaker 60W	FB201V/17
MX 955D/37 includes :				
FR965/17	2 x Home Cinema Speaker 60W	Home Cinema Center Speaker 50W	2 x Home Cinema Speaker 60W	SW090/17 3139 118 78670
MX 970D/37 includes :				
FR963/17	MX970FS/17 9965 000 11850	MX970CS/17 9965 000 11852	MX970RS/17 9965 000 11854	FB201V/17

Location Of Printed Circuit Boards

Display Circuit Board Location Guide

Specifications

Display System Specifications

Service Tools

Audio Signals Test Disc 1.....4822 397 30184

AVAILABLE ESD PROTECTION EQUIPMENT :

Anti-static table mat large 1200x650x1.25mm	4822 466 10953
Small 600x650x1.25mm	4822 466 10958
Anti-static wristband	4822 395 10223
Connection box (3 press stud connections, 1M)	4822 320 11307

Extendible cable (2m, 2M , to connect wristband to connection box)	4822 320 11305
Connecting cable (3m, 2M , to connect table mat to connection box)	4822 320 11306
Earth cable (1M , to connect any product to mat or to connection box)	4822 320 11308
KIT ESD3 (combining all 6 prior products - small table mat)	4822 310 10671
Wristband tester	4822 344 13999

Measurement Setups

Display Tuner FM Setup

Display Tuner AM Setup

Safety/ESD Warning Notices:

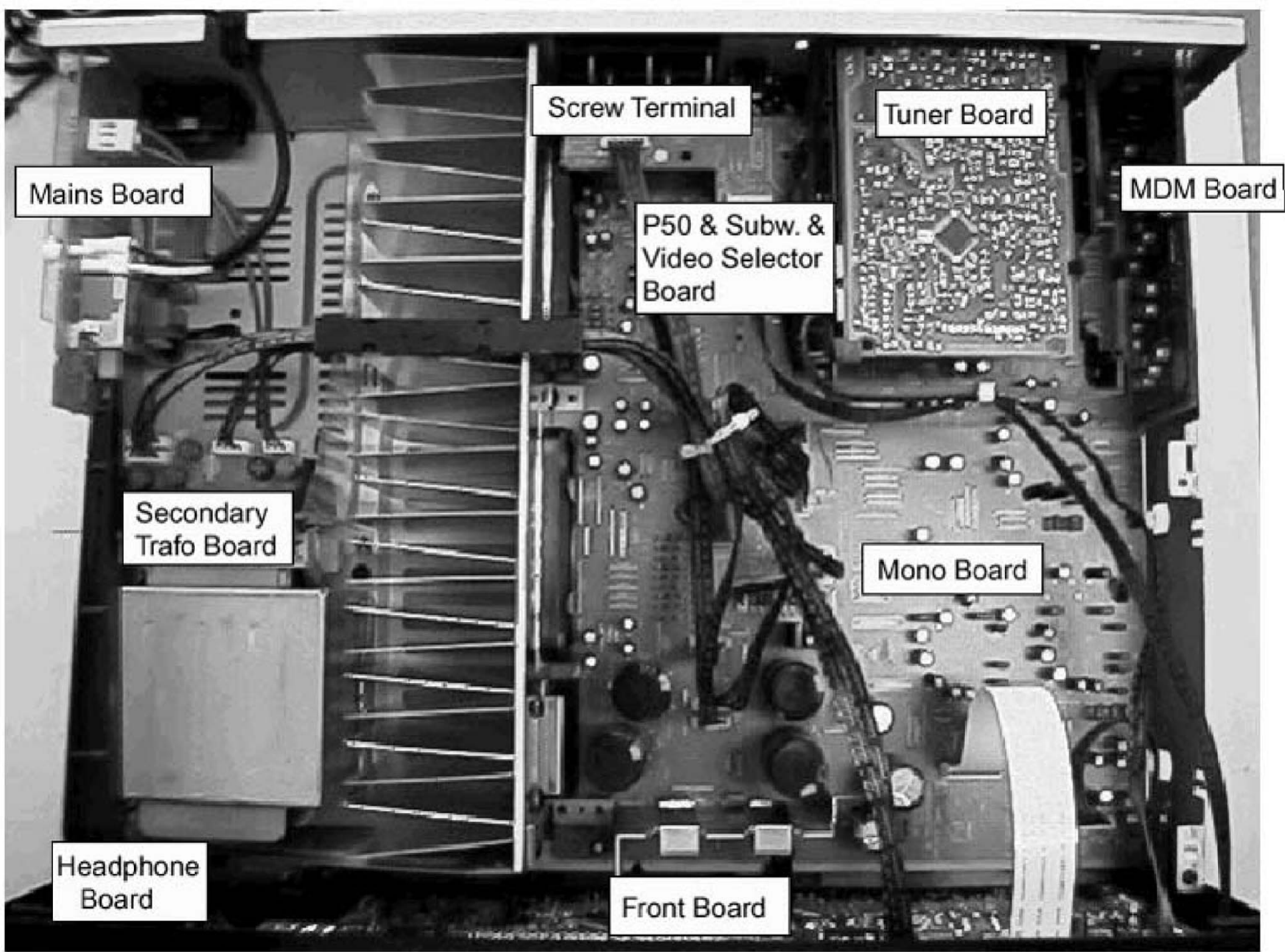
Display Safety/ESD Warning Notices

Handling Chip Type (SMD) Components

Display Chip Handling Guide

Abbreviations

Display Abbreviation List



Mains Board

Screw Terminal

Tuner Board

MDM Board

P50 & Subw. &
Video Selector
Board

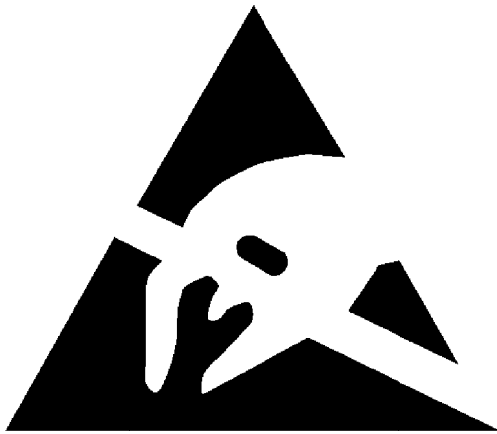
Secondary
Trafo Board

Mono Board

Headphone
Board

Front Board

ESD



WARNING

All ICs and many other semiconductors are susceptible to electrostatic discharges (ESD). Careless handling during repair can reduce life drastically.

When repairing, make sure that you are connected with the same potential as the mass of the set via a wristband with resistance. Keep components and tools at this potential.

SAFETY



Safety regulations require that the set be restored to its original condition and that parts which are identical with those specified be used.

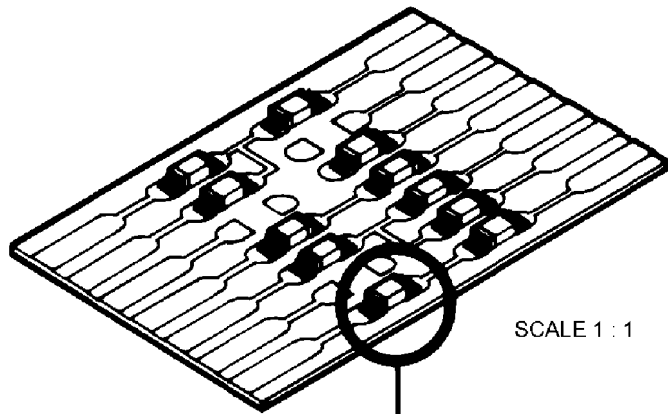
Safety components are marked by the symbol 

**CLASS 1
LASER PRODUCT**

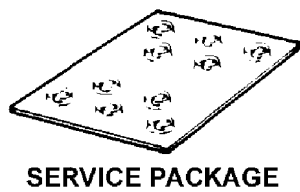
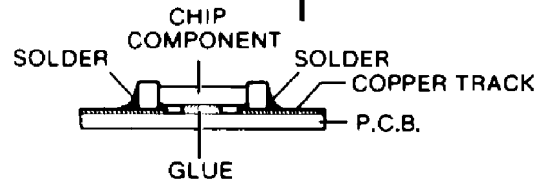
**DANGER: Invisible laser radiation when open.
AVOID DIRECT EXPOSURE TO BEAM.**

HANDLING CHIP COMPONENTS

GENERAL

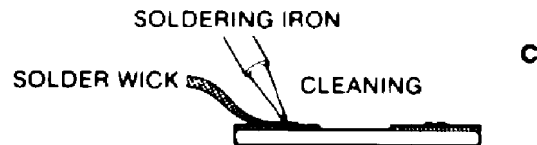
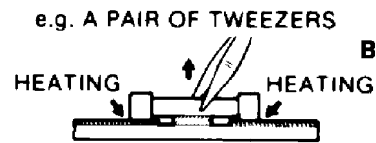
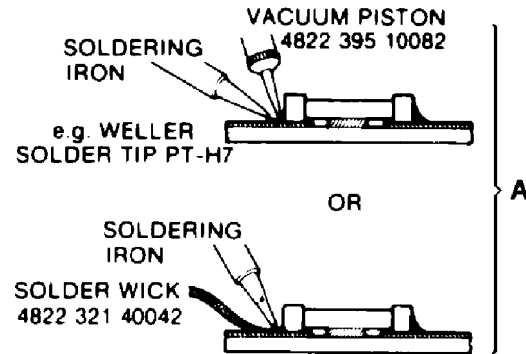


SCALE 1:1

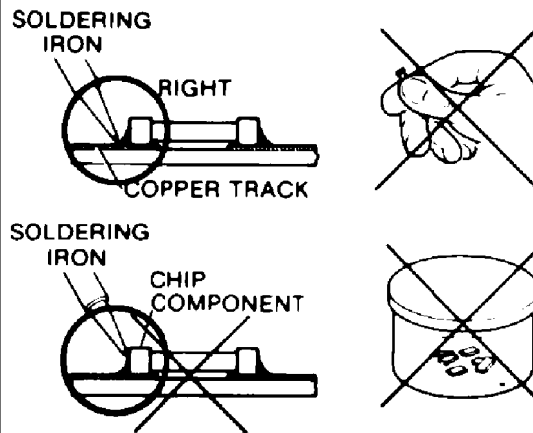


SERVICE PACKAGE

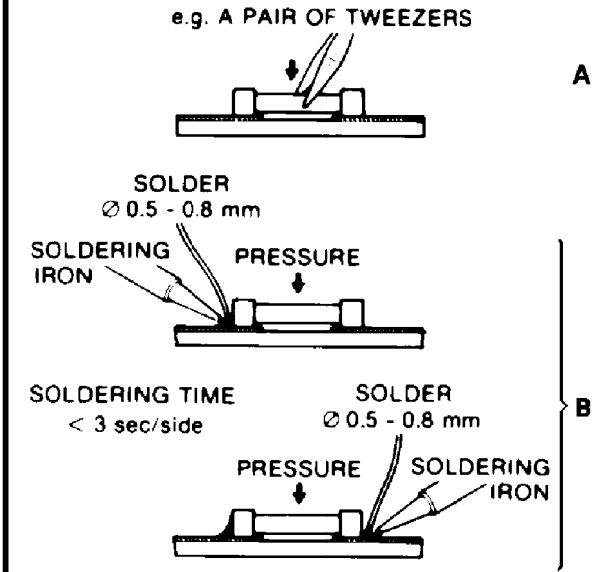
DISMOUNTING



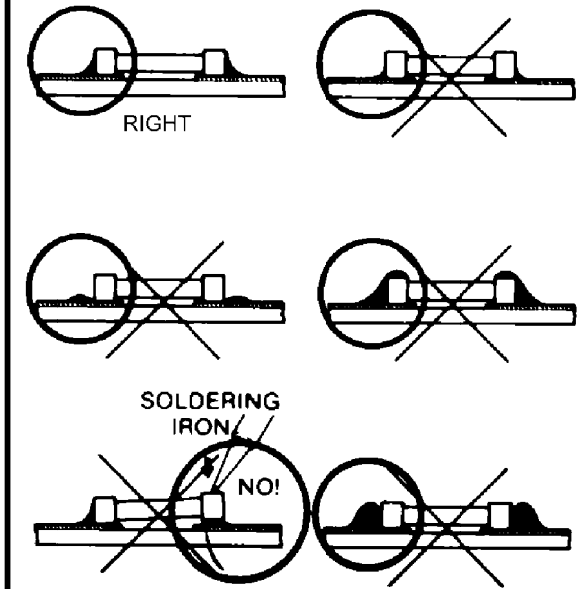
PRECAUTIONS



MOUNTING

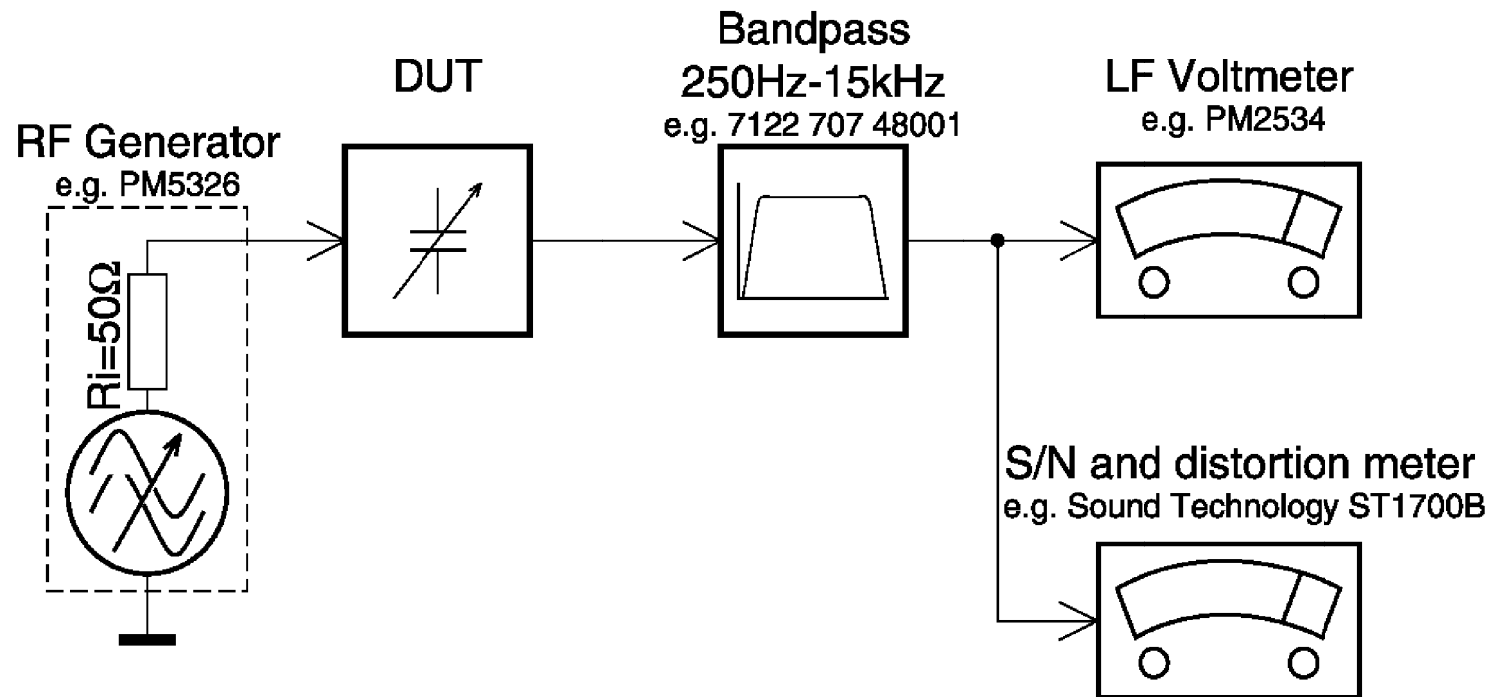


EXAMPLES



MEASUREMENT SETUP

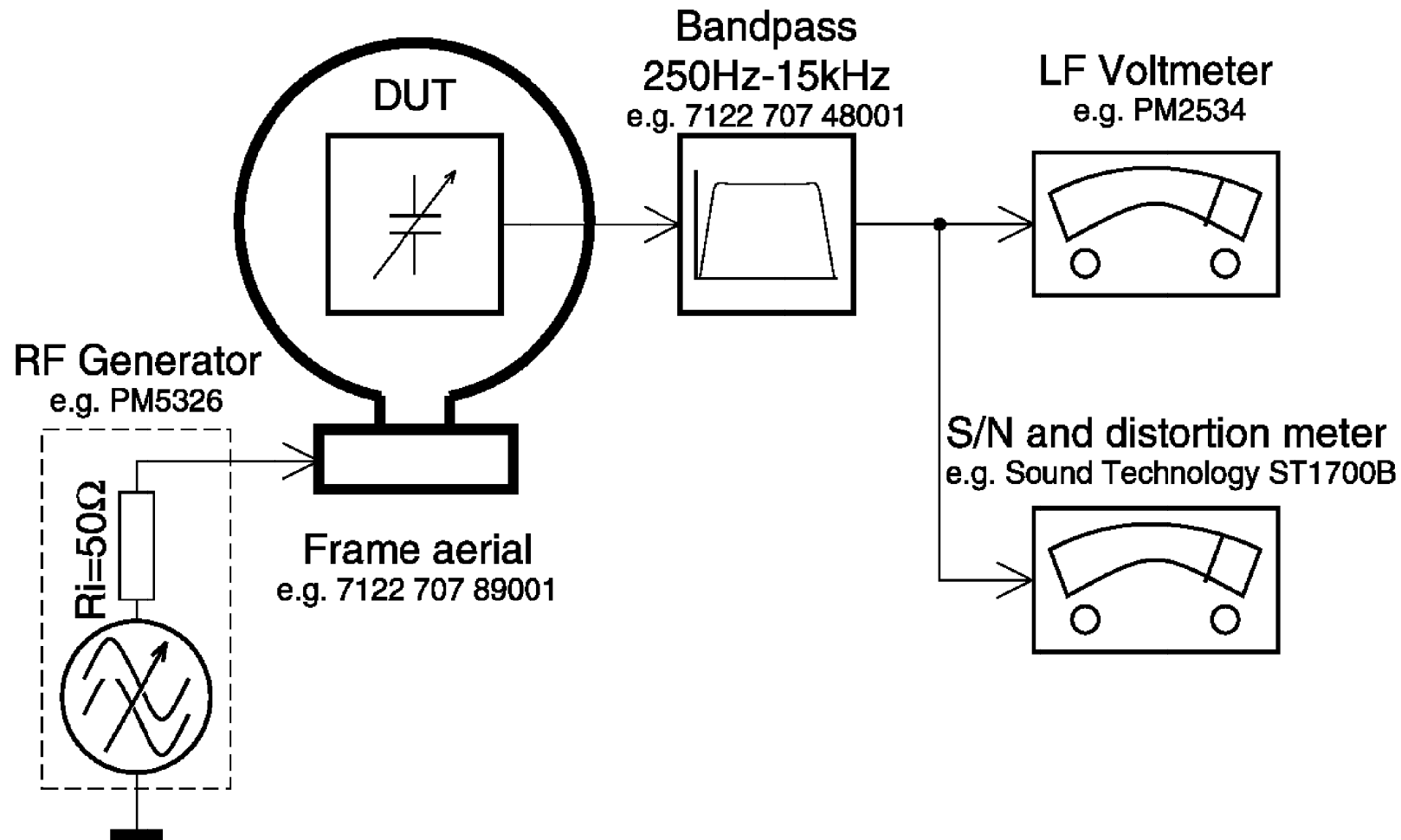
Tuner FM



Use a bandpass filter to eliminate hum (50Hz, 100Hz) and disturbance from the pilot tone (19kHz, 38kHz).

MEASUREMENT SETUP

Tuner AM (MW,LW)



To avoid atmospheric interference all AM-measurements have to be carried out in a Faraday's cage. Use a bandpass filter (or at least a high pass filter with 250Hz) to eliminate hum (50Hz, 100Hz).

SPECIFICATION FR965 /17

General

Mains voltage	: 120V
Mains frequency	: 60Hz
Power consumption	: ≤ 2W at stby
Dimension. wxhxd	: 435x138x350 mm
Remote control	: Multibrand/Universal

Amplifier

Output power	
Stereo mode (L+R)	: 2x50W FTC (40Hz-20kHz, 0,7%THD, 6Ω)

Surround mode	
L + R	: 2x60W (1kHz, 0,7%THD, 6Ω)
Center	: 60W (1kHz, 0,7%THD, 6Ω)
Surround Left+Right	: 2x60W (1kHz, 0,7%THD, 6Ω)

Distortion (5W)	
1kHz	: ≤ 0,05%
40Hz - 20kHz	: ≤ 0,2%

Headphone	: 6,3mm stereo jack with switch
Output level	: 3V EMF, 60Ω

Crosstalk between source	—1kHz	: ≤ -65dB
(1W)	250Hz – 10kHz	: ≤ -60dB

Crosstalk between channels	-1kHz	: ≤ -55dB
(1W)	250Hz – 10kHz	: ≤ -50dB

Frequency response	: ≤ 10Hz – ≥ 30kHz (-1dB)
--------------------	---------------------------

Power stage protection	: Shortcircuit
	: DC (Vout ≥ 10V) for ±1sec
Temperature	: Transformer (≥ 140° Celcius)
	: Heatsink (≥ 140° Celcius)

Audio Selector

Analog Input sensitivity	
Phono	: 5mV impedance 47kΩ/220pf
CD	: 250mV impedance ≥ 47kΩ
CDR/TAPE	: 250mV impedance ≥ 47kΩ
VCR	: 250mV impedance ≥ 47kΩ
TV	: 250mV impedance ≥ 47kΩ
SAT	: 250mV impedance ≥ 47kΩ
6 CH/DVD	: 250mV impedance ≥ 47kΩ

Output level	
CDR/TAPE	: 250mV impedance ≤ 1kΩ
VCR	: 250mV impedance ≤ 1kΩ

Output level (variable)	
Subwoofer pre-out	: 800mV impedance ≤ 1kΩ
Center pre-out	: 800mV impedance ≤ 1kΩ

Digital Selector

Input	: 2 x cinch
	: 1 x optical
Output	: 1 x cinch

Video Selector - CVBS

Input sensitivity	
DVD/VCR/TV	: 1 Vpp impedance 75Ω
Output level	
Monitor/VCR	: 1 Vpp impedance 75Ω
Frequency response	: ≤ 50Hz → ≥ 6MHz

Tone controle

Loudness	
(volume ≤ -30dB Ref: 1kHz=0dB)	: 100Hz +6 dB
	: 10kHz +2,5 dB

Tone control (Ref: 1kHz=0dB)	
	: Bass 100Hz -9dB → +9dB
	: Treble 10kHz -9dB → +9dB

DSC settings		100Hz	1kHz	10kHz
Personal	dB	0	0	0
Movie	dB	+ 4	+2	+4
Speech	dB	- 4	+1	- 2
Music	dB	+ 4	- 1	+2
Multimedia	dB	+ 7	+3	+6

Multi Channel Decoder - MDM98

MPEG5.1 / MPEG 7.1 (7.1 downmix to 5.1)
Dolby Digital (AC-3)
Linear PCM
Automatic audio/data type detection (AC-3,MPEG-2,PCM)
Dolby Pro Logic
MPEG-2 dual mono channel selection I/II
MPEG-2 dual stereo channel selection I/II
3D Surround (422/423) (522/523)
Virtual MPEG Digital (522/523)
Digital Bass Management
Parallel Stereo Downmix
Four Stereo (224)
Volume Control
Noise Generator (test tone)
Surround mode selector
Delay Center and Surround Left , Surround Right

Tuner - (ECO5)

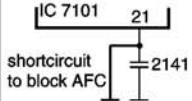
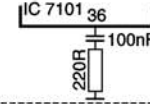
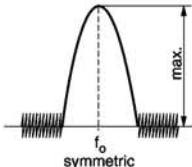
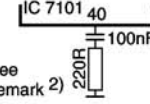
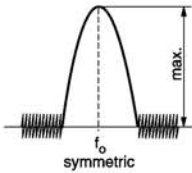
FM	
Tuning range	: 87.5 – 108MHz
Grid	: 100kHz
IF frequency	: 10.7MHz ±25kHz
Aerial input	: 300 Ω clickfit
Sensitivity at 26dB S/N	: ≤ 2μV
Selectivity at 300kHz	: ≥ 55dB
Image rejection	: ≥ 48dB
Distortion at RF=1mV,dev.75kHz	: ≤ 0,9%
-3dB Limiting point	: ≤ 2μV
Crosstalk at RF=1mV,dev.40kHz	: ≥ 27dB

MW	
Tuning range	: 530 - 1700kHz
Grid	: 10kHz
IF frequency	: 450kHz ±1kHz
Aerial input	: Frame aerial
Sensitivity at 26dB S/N	: ≤ 3,5mV/m
Selectivity at 9kHz bandwidth	: ≥ 18dB
IF rejection	: ≥ 64dB
Image rejection	: ≥ 28dB
Distortion at RF=50mV,m=80%	: ≤ 3%

ABBREVIATIONS

A		P	
ac 0VA	AC 0 Voltage	p gnd	P50 ground
ac 10VB	AC 10 Voltage	p p50	Cinema link P50 code
ac 110VB	AC 110 Voltage	S	
ac 120VB	AC 120 Voltage	s gnd	Surround ground
ac gnd	AC ground	sofac scl	Sofac I ² C clock
ac h1	AC high voltage 1	sofac1 sda1	Sofac 1 I ² C data1
ac h2	AC high voltage 2	sofac2 sda2	Sofac 2 I ² C data2
ac l1	AC low voltage 1	ss ce	Source selector chipenable
ac l2	AC low voltage 2	ss clk	Source selector clock
ac1	AC voltage 1	ss data	Source selector data
ac2	AC voltage 2	surr pre-out	Surround pre-out
ac3	AC voltage 3	T	
amp lr on	Amplifier Left - Right On	tu clk	Tuner clock
amp mute c s	Amplifier mute center surround	tu da	Tuner data
amp mute c s sub	Amplifier mute center surround subwoofer	tu en	Tuner enable
amp mute lr	Amplifier mute Left - Right	tu gnd	Tuner ground
amp pd	Amplifier power down	tu l	Tuner Left
amp prot	Amplifier protection	tu r	Tuner Right
amp s on	Amplifier surround On	tu rds	Tuner RDS
amp stby	Amplifier Standby	tu stereo	Tuner stereo
av gnd	Audio ground	V	
av l	Audio Left	v gnd	Video ground
av r	Audio Right	v scl	Video I ² C clock
A/V	Audio/Video	v sda	Video I ² C data
F		v sig	Video signal
f1	Filament 1	v sub sur	Video subwoofer surround
f2	Filament 2	G	
fmute	Fast mute	gnd d	Ground digital
G		gnd s	Ground signal
H		L	
hp gnd	Headphone ground	ls c	Loudspeaker Center
hp l	Headphone Left	ls gnd	Loudspeaker ground
hp on	Headphone On	ls l	Loudspeaker Left
hp r	Headphone Right	ls r	Loudspeaker Right
hst	Heatsink temperature	M	
L		mdm	<u>M</u> ulti channel <u>D</u> ecoding <u>M</u> odule
ls c	Loudspeaker Center	mdm c out	— Center out
ls gnd	Loudspeaker ground	mdm gnd	— ground
ls l	Loudspeaker Left	mdm l dmix	— Downmix Left
ls r	Loudspeaker Right	mdm l in	— Left in
M		mdm l out	— Left out
mdm	<u>M</u> ulti channel <u>D</u> ecoding <u>M</u> odule	mdm r dmix	— Downmix Right
mdm c out	— Center out	mdm r in	— Right in
mdm gnd	— ground	mdm r out	— Right out
mdm l dmix	— Downmix Left	mdm req	— request
mdm l in	— Left in	mdm rst	— reset
mdm l out	— Left out	mdm scl	— I ² C clock
mdm r dmix	— Downmix Right	mdm sda	— I ² C data
mdm r in	— Right in	mdm sl out	— surround Left out
mdm r out	— Right out	mdm sr out	— surround Right out
mdm req	— request	mdm sub out	— subwoofer out
mdm rst	— reset	mfd	Mains failure detection
mdm scl	— I ² C clock		
mdm sda	— I ² C data		
mdm sl out	— surround Left out		
mdm sr out	— surround Right out		
mdm sub out	— subwoofer out		
mfd	Mains failure detection		

TUNER ADJUSTMENT TABLE (ECO5 FM/MW- and FM/MW/LW - versions with AM-frame aerial)

Waverange	Input frequency	Input	Tuned to	Adjust	Output	Scope/Voltmeter
VARICAP ALIGNMENT						
FM 87.5 - 108MHz (65.81 - 74, 87.5 - 108MHz)			108MHz	5130	◇ 1	8V ±0.2V
			87.5MHz (65.81MHz)	check		4.3V ±0.5V (1.2V ±0.5V)
MW FM/AM-version, 10kHz grid 530 - 1700kHz			1700kHz	5123		8V ±0.2V
			530kHz	check		1.1V ±0.4V
FM/MW-version, 9kHz grid 531 - 1602kHz			1602kHz	5123		6.9V ±0.2V
			531kHz	check		1.1V ±0.4V
LW 153 - 279kHz			279kHz	5122		8V ±0.2V
			153kHz	check		1.1V ±0.4V
MW FM/MW/LW- version, 9kHz grid 531 - 1602kHz			1602kHz	5123	8V ±0.2V	
			531kHz	check	1.1V ±0.4V	
FM IF						
FM	10.7MHz, 50mV continuous wave	◇ F		5119	◇ 2	0 ± 3 mV DC
FM RF						
FM 87.5 - 108MHz (65.81 - 74, 87.5 - 108MHz)	108MHz	◇ A	108MHz	2155	◇ 4	MAX
	87.5MHz (65.81MHz)	mod=1kHz $\Delta f = \pm 22.5\text{kHz}$	87.5MHz (65.81MHz)	5131		
VCO						
FM	98MHz, 1mV continuous wave	◇ A	98MHz	3142	◇ 3	152kHz ±1kHz ¹⁾
AM IF						
MW	450kHz connect pin 6 of IC 7101 (AM Osc.) with short wire to ground (pin 4)	◇ C		5111	◇ 4	
				5112		
AM AFC MW		◇ C		5114	◇ 2	0 ± 2 mV DC
AM RF ³⁾						
MW ⁴⁾ FM/MW/LW- and FM/MW-version (9kHz grid) 531 - 1602kHz	1494kHz	◇ B	1494kHz	2106	◇ 4	
	558kHz		558kHz	5102		
LW	198kHz		198kHz	5103		
MW FM/AM-version, 10kHz grid 530 - 1700kHz	1500kHz		$\Delta f = \pm 30\text{kHz}$ V_{RF} as low as possible	1500kHz		
	560kHz	560kHz	5102			

Use service test program. By selecting the TUNER TEST test frequencies will be stored as preset frequencies automatically.

ECO5, discr. coil, 090797

¹⁾ If sensitivity of frequency counter is too low adjust to max. channel separation (input signal: stereo left 90% + 9%, adjust output on right channel to minimum)

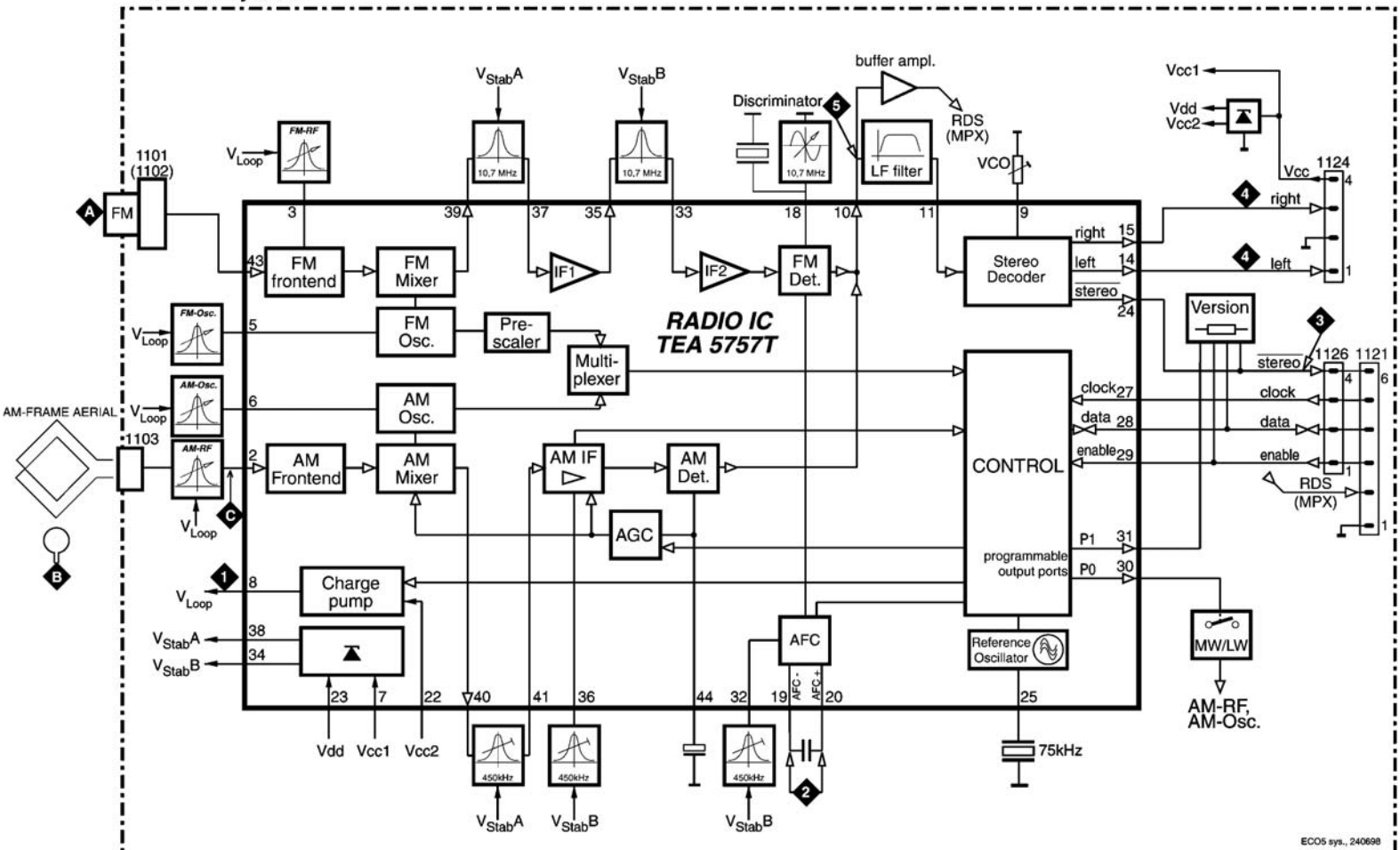
²⁾ RC network serves for damping the IF-filter while adjusting the other one.

³⁾ For AM RF adjustments the original frame antenna has to be used !

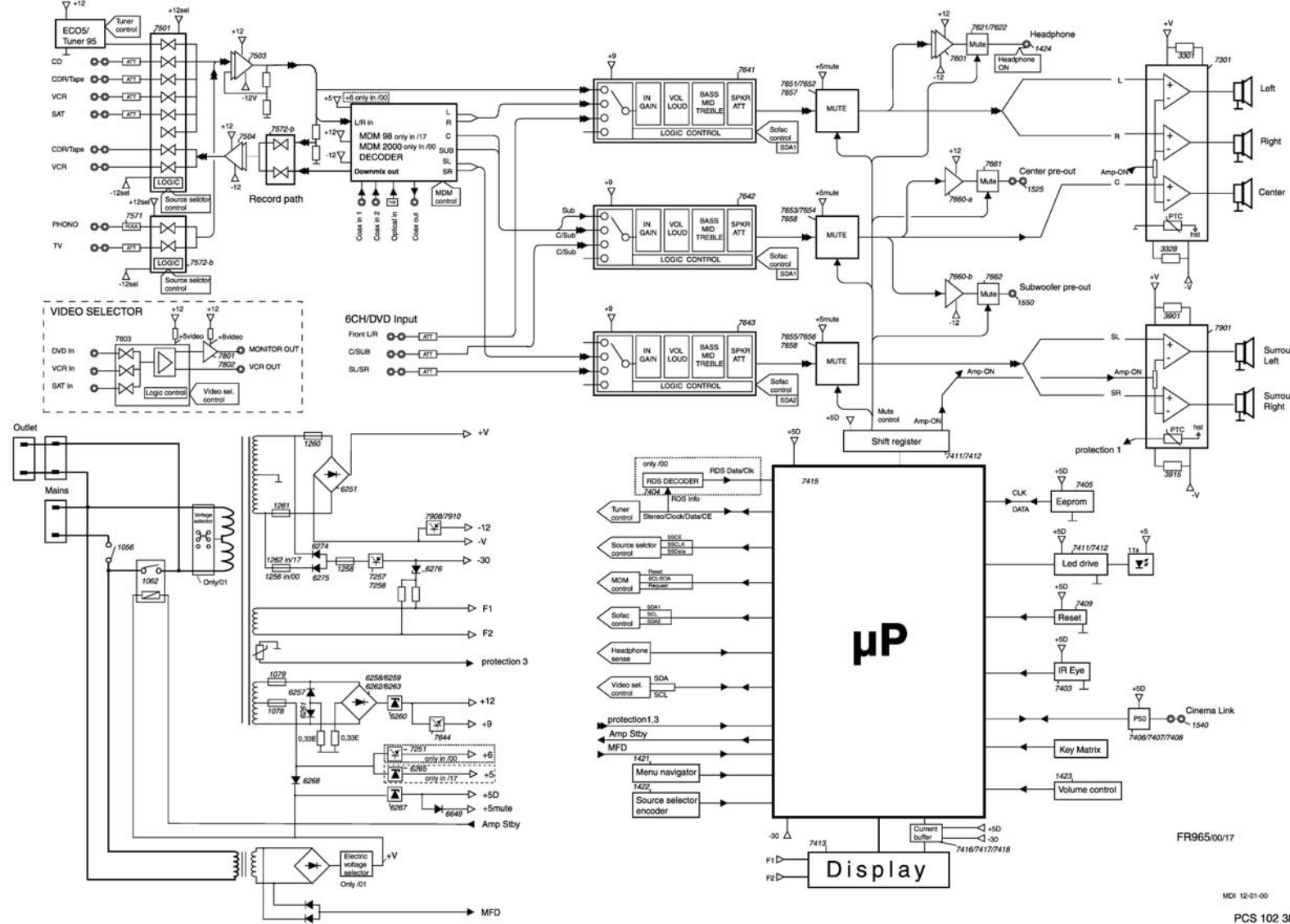
⁴⁾ MW has to be aligned before LW.

TUNER BOARD

ECO 5 systems



BLOCKDIAGRAM

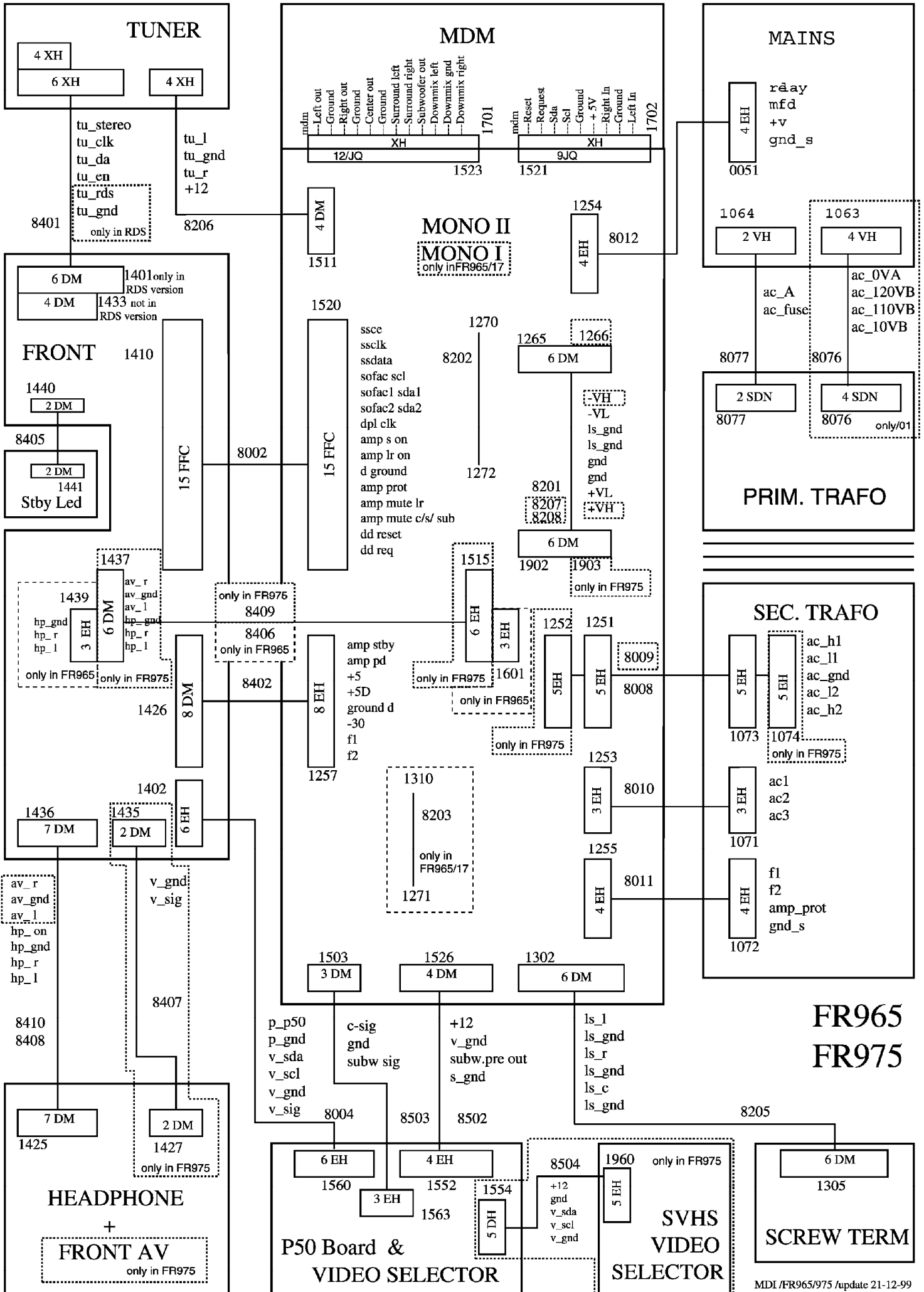


FR965/00/17

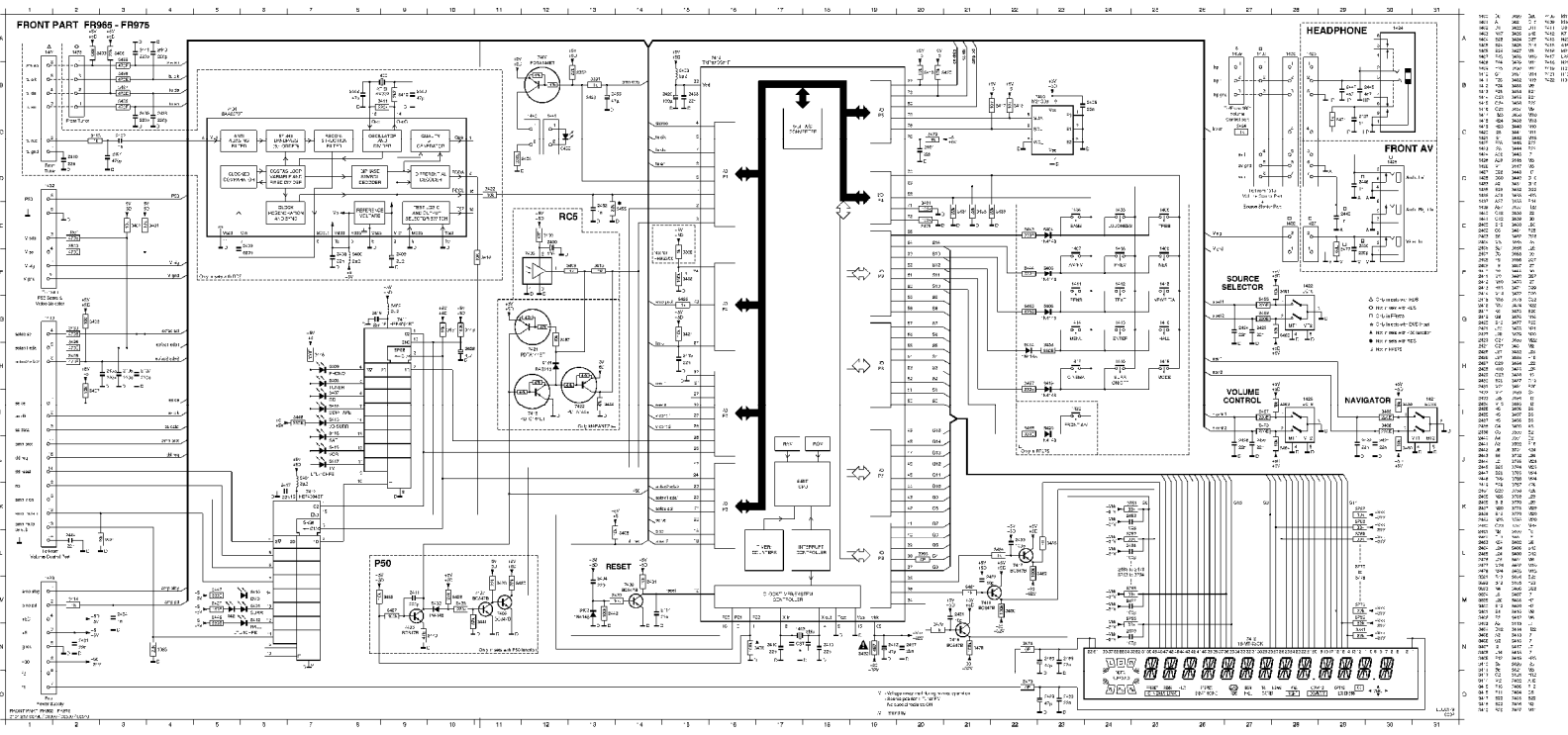
MDI 12-01-00

PCS 102 381

WIRING DIAGRAM



FR965
FR975



BLOCK-DIAGRAM

Note: No Schematic is provided here as this Circuit Board Assembly is considered to be a "non-repairable / replace only" type assembly. Individual parts are limited, refer to the PCB Overlay.

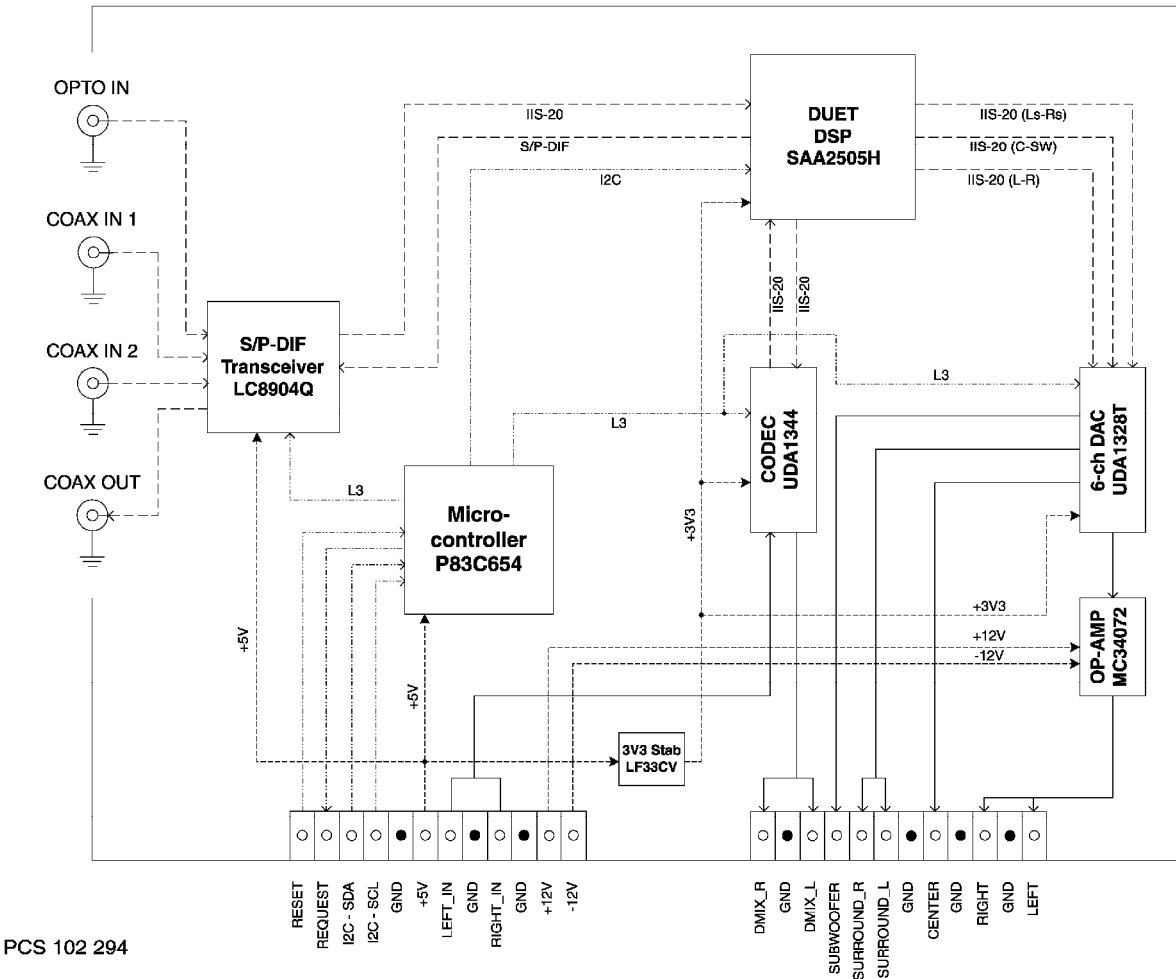
MULTI-CHANNEL DECODING MODULE '98

Signals

- > Control
- > Digital Audio
- > Analog Audio
- > Supply

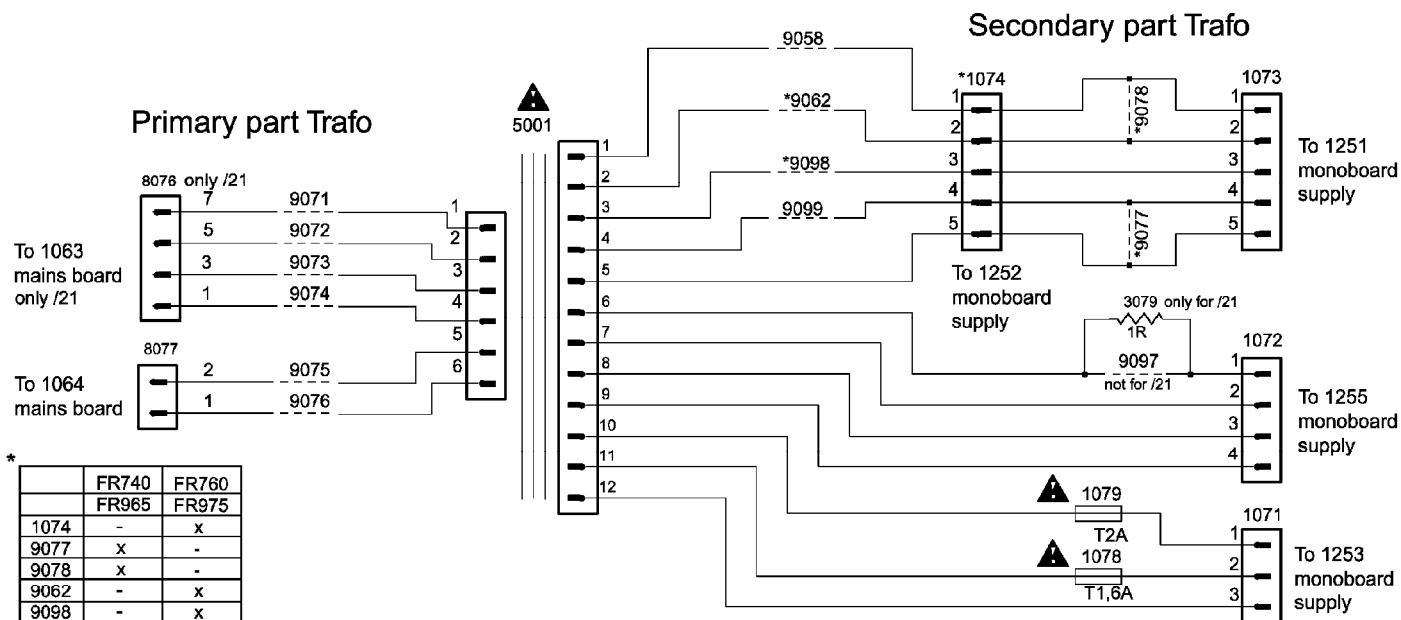
Terms

- DUET: Philips Dual Core DSP
- DSP: Digital Signal Processor
- DAC: Digital to Analog Converter
- ADC: Analog to Digital Converter
- CODEC: Combined ADC and DAC
- S/P-DIF: Sony/Philips Digital Interface
- Transceiver: Transmitter/Receiver
- IIS-20: Inter-IC Sound (20 bit)
- I2C: Inter-IC Communication
- L3 : 3-line Communication
- OP-AMP: Operational Amplifier
- Stab: Stabiliser
- DMIX: Downmix
- OPTO: Optical Connector
- COAX: Cinch Connector



PCS 102 294

MAINS TRAF0 PART

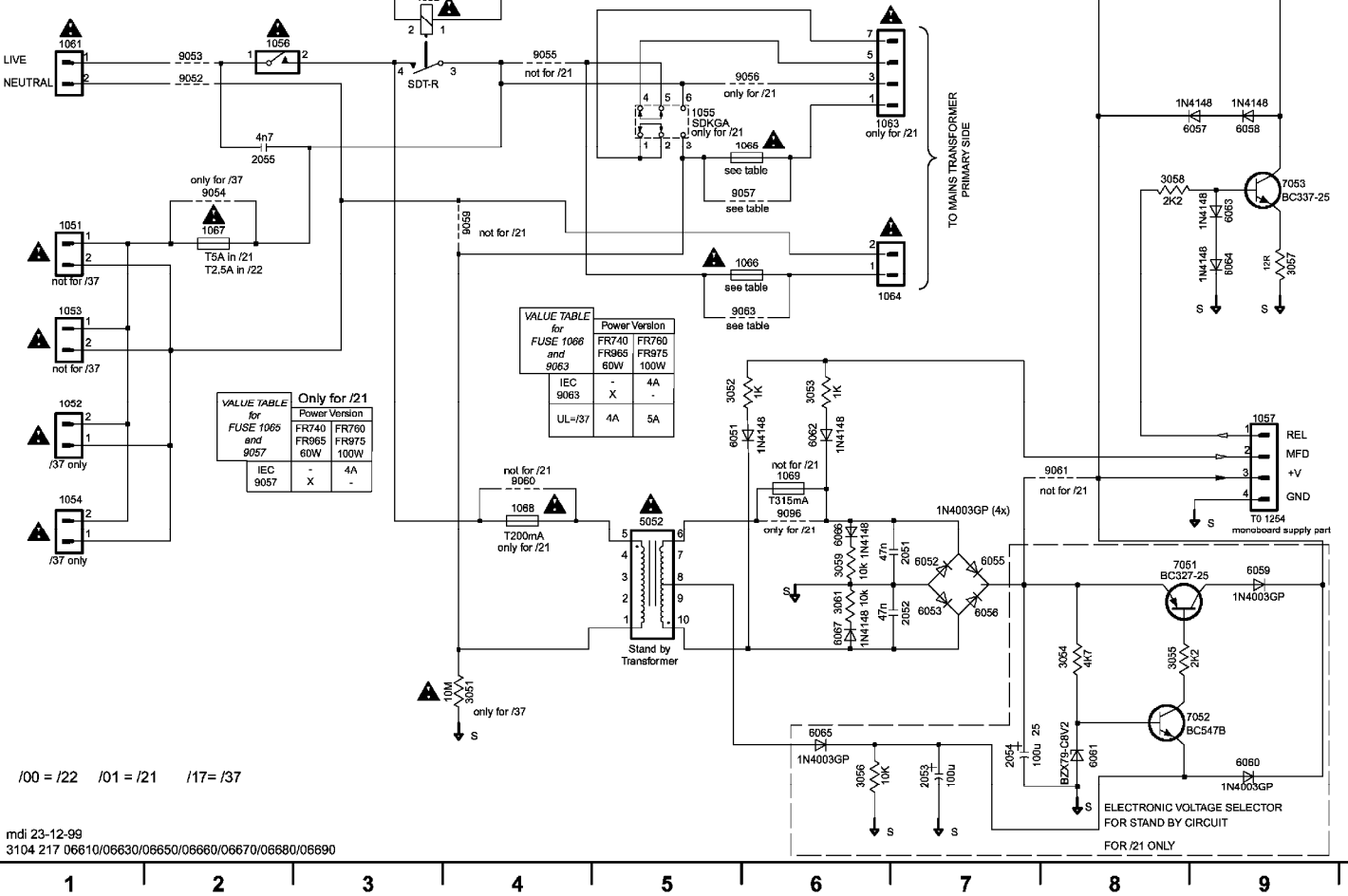


*

	FR740	FR760
	FR965	FR975
1074	-	x
9077	x	-
9078	x	-
9062	-	x
9098	-	x

/00 = /22 /01= /21 /17= /37

MAINS BOARD CIRCUIT DIAGRAM



VALUE TABLE for FUSE 1066 and 9057

IEC	Power Version	
	FR740 60W	FR760 FR975 100W
9057	X	4A

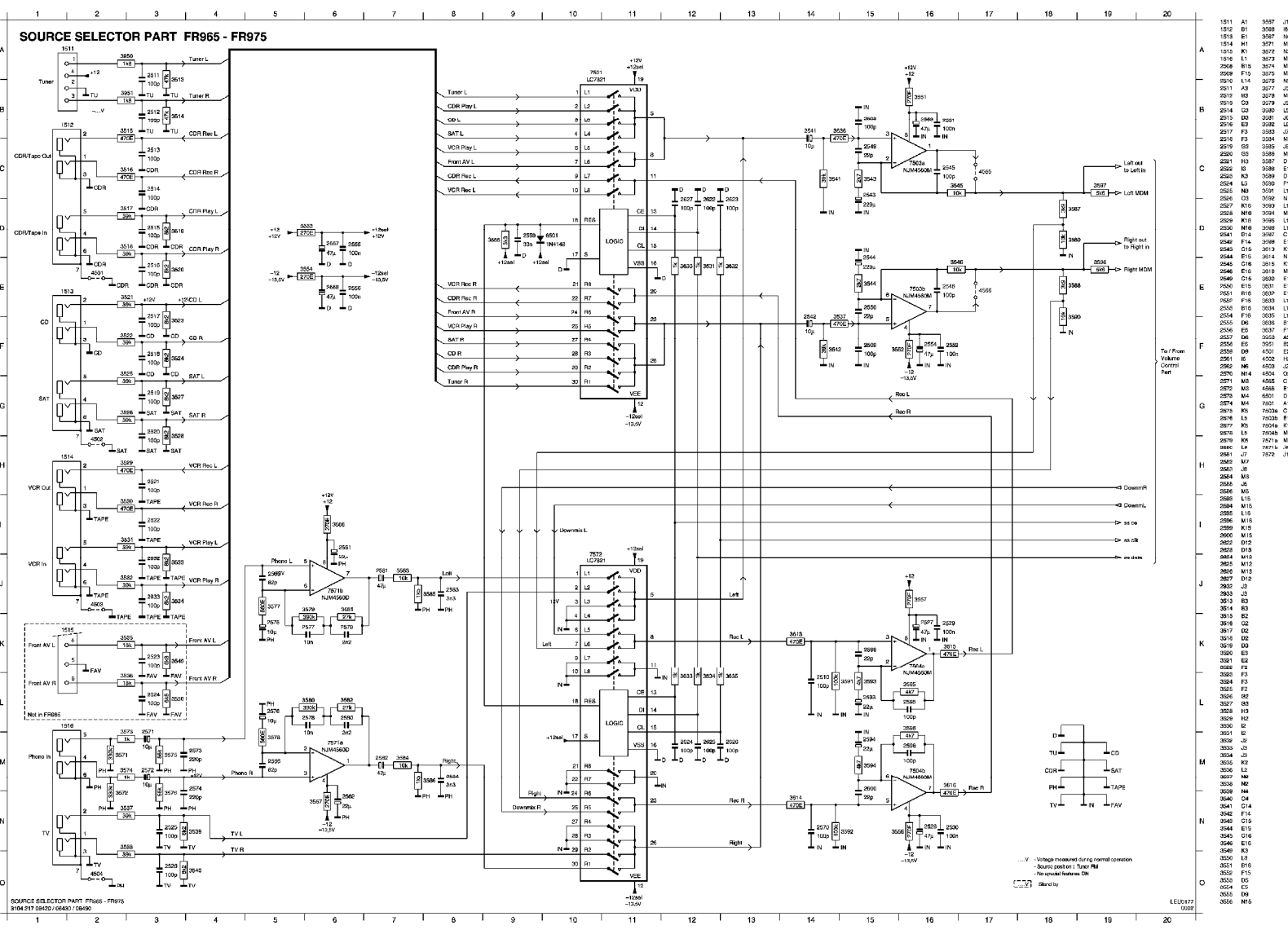
VALUE TABLE for FUSE 1066 and 9063

IEC	Power Version	
	FR740 60W	FR760 FR975 100W
9063	X	4A
UL=/37	4A	5A

/00 = /22 /01 = /21 /17= /37

mdi 23-12-99
3104 217 06610/06630/06650/06660/06670/06680/06690

9051 D9
1051 B1
1052 D1
1053 C1
1054 D1
1055 B5
1056 A2
1057 D6
1061 A1
1062 A3
1063 B6
1064 C6
1065 B8
1066 C6
1067 B2
1068 D4
1069 D6
2051 E7
2052 E7
2053 F7
2054 F7
2055 B2
3051 F4
3052 C6
3053 C8
3054 E8
3055 E8
3056 F6
3057 C9
3058 B8
3059 E8
3061 E5
5051 A2
5052 D5
6052 E7
6053 E6
6055 E7
6056 E7
6057 B9
6058 B9
6059 E9
6060 F9
6061 F8
6062 D6
6063 B9
6064 C9
6065 F6
6066 D8
6067 E7
7051 E8
7052 F8
7053 B9
9051 A2
9052 A2
9053 A2
9054 B2
9055 A4
9056 A6
9057 B5
9059 B4
9060 D4
9061 D8
9063 C6
9064 A5
9065 B1
9066 B1
9067 E2
9068 E2
9094 F2
9095 F2
9096 D6

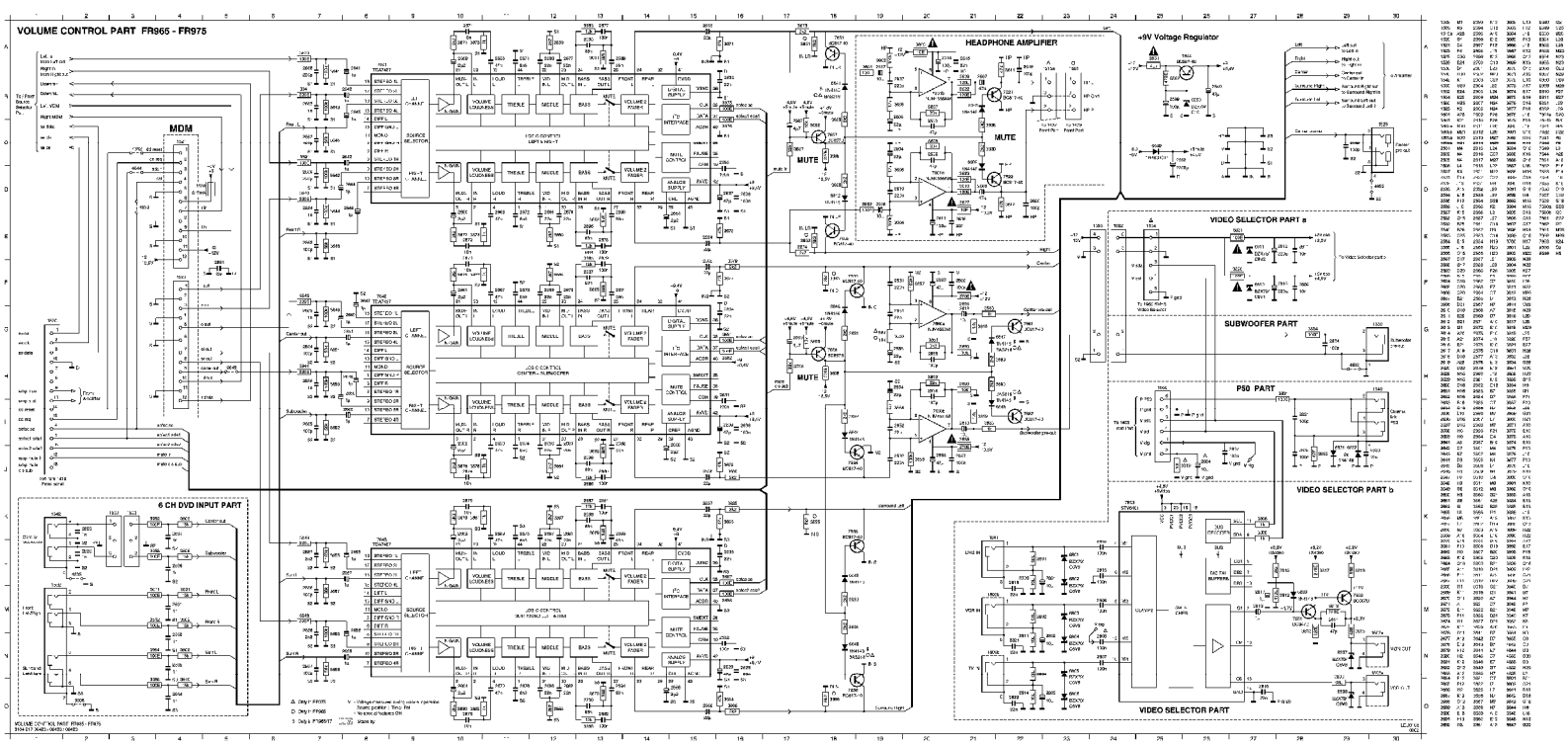


SOURCE SELECTOR PART FR965 - FR975

1511	A1	3597	J8
1512	E1	3598	J8
1513	E1	3597	M3
1514	M1	3571	M2
1515	K1	3572	Nz
1516	K1	3573	M2
1517	K1	3574	M2
1518	E1	3575	M2
1519	L14	3576	Nz
1520	K1	3577	J5
1521	K1	3578	J5
1522	K1	3579	J5
1523	K1	3580	J5
1524	E3	3581	J5
1525	E3	3582	J5
1526	F3	3583	M7
1527	F3	3584	J7
1528	F3	3585	M7
1529	F3	3586	J7
1530	F3	3587	J7
1531	F3	3588	M7
1532	F3	3589	M7
1533	F3	3590	M7
1534	F3	3591	M7
1535	F3	3592	M7
1536	F3	3593	M7
1537	F3	3594	M7
1538	F3	3595	M7
1539	F3	3596	M7
1540	F3	3597	M7
1541	F3	3598	M7
1542	F3	3599	M7
1543	F3	3600	M7
1544	F3	3601	M7
1545	F3	3602	M7
1546	F3	3603	M7
1547	F3	3604	M7
1548	F3	3605	M7
1549	F3	3606	M7
1550	F3	3607	M7
1551	F3	3608	M7
1552	F3	3609	M7
1553	F3	3610	M7
1554	F3	3611	M7
1555	F3	3612	M7
1556	F3	3613	M7
1557	F3	3614	M7
1558	F3	3615	M7
1559	F3	3616	M7
1560	F3	3617	M7
1561	F3	3618	M7
1562	F3	3619	M7
1563	F3	3620	M7
1564	F3	3621	M7
1565	F3	3622	M7
1566	F3	3623	M7
1567	F3	3624	M7
1568	F3	3625	M7
1569	F3	3626	M7
1570	F3	3627	M7
1571	F3	3628	M7
1572	F3	3629	M7
1573	F3	3630	M7
1574	F3	3631	M7
1575	F3	3632	M7
1576	F3	3633	M7
1577	F3	3634	M7
1578	F3	3635	M7
1579	F3	3636	M7
1580	F3	3637	M7
1581	F3	3638	M7
1582	F3	3639	M7
1583	F3	3640	M7
1584	F3	3641	M7
1585	F3	3642	M7
1586	F3	3643	M7
1587	F3	3644	M7
1588	F3	3645	M7
1589	F3	3646	M7
1590	F3	3647	M7
1591	F3	3648	M7
1592	F3	3649	M7
1593	F3	3650	M7
1594	F3	3651	M7
1595	F3	3652	M7
1596	F3	3653	M7
1597	F3	3654	M7
1598	F3	3655	M7
1599	F3	3656	M7
1600	F3	3657	M7
1601	F3	3658	M7
1602	F3	3659	M7
1603	F3	3660	M7
1604	F3	3661	M7
1605	F3	3662	M7
1606	F3	3663	M7
1607	F3	3664	M7
1608	F3	3665	M7
1609	F3	3666	M7
1610	F3	3667	M7
1611	F3	3668	M7
1612	F3	3669	M7
1613	F3	3670	M7
1614	F3	3671	M7
1615	F3	3672	M7
1616	F3	3673	M7
1617	F3	3674	M7
1618	F3	3675	M7
1619	F3	3676	M7
1620	F3	3677	M7
1621	F3	3678	M7
1622	F3	3679	M7
1623	F3	3680	M7
1624	F3	3681	M7
1625	F3	3682	M7
1626	F3	3683	M7
1627	F3	3684	M7
1628	F3	3685	M7
1629	F3	3686	M7
1630	F3	3687	M7
1631	F3	3688	M7
1632	F3	3689	M7
1633	F3	3690	M7
1634	F3	3691	M7
1635	F3	3692	M7
1636	F3	3693	M7
1637	F3	3694	M7
1638	F3	3695	M7
1639	F3	3696	M7
1640	F3	3697	M7
1641	F3	3698	M7
1642	F3	3699	M7
1643	F3	3700	M7
1644	F3	3701	M7
1645	F3	3702	M7
1646	F3	3703	M7
1647	F3	3704	M7
1648	F3	3705	M7
1649	F3	3706	M7
1650	F3	3707	M7
1651	F3	3708	M7
1652	F3	3709	M7
1653	F3	3710	M7
1654	F3	3711	M7
1655	F3	3712	M7
1656	F3	3713	M7
1657	F3	3714	M7
1658	F3	3715	M7
1659	F3	3716	M7
1660	F3	3717	M7
1661	F3	3718	M7
1662	F3	3719	M7
1663	F3	3720	M7
1664	F3	3721	M7
1665	F3	3722	M7
1666	F3	3723	M7
1667	F3	3724	M7
1668	F3	3725	M7
1669	F3	3726	M7
1670	F3	3727	M7
1671	F3	3728	M7
1672	F3	3729	M7
1673	F3	3730	M7
1674	F3	3731	M7
1675	F3	3732	M7
1676	F3	3733	M7
1677	F3	3734	M7
1678	F3	3735	M7
1679	F3	3736	M7
1680	F3	3737	M7
1681	F3	3738	M7
1682	F3	3739	M7
1683	F3	3740	M7
1684	F3	3741	M7
1685	F3	3742	M7
1686	F3	3743	M7
1687	F3	3744	M7
1688	F3	3745	M7
1689	F3	3746	M7
1690	F3	3747	M7
1691	F3	3748	M7
1692	F3	3749	M7
1693	F3	3750	M7
1694	F3	3751	M7
1695	F3	3752	M7
1696	F3	3753	M7
1697	F3	3754	M7
1698	F3	3755	M7
1699	F3	3756	M7
1700	F3	3757	M7

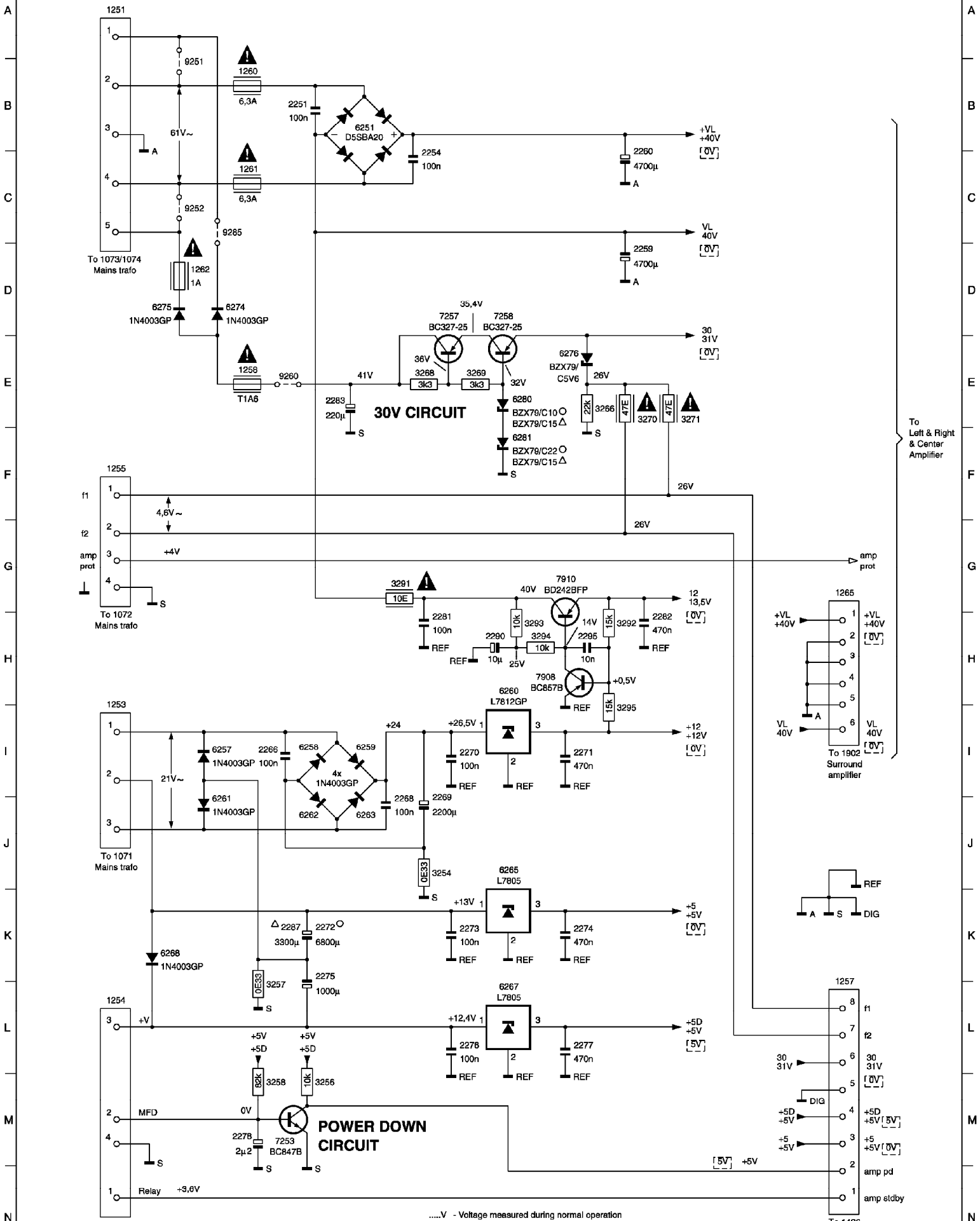
SOURCE SELECTOR PART FR965 - FR975
3104 217 28420 / 6643 / 0849C

LELU177 6002



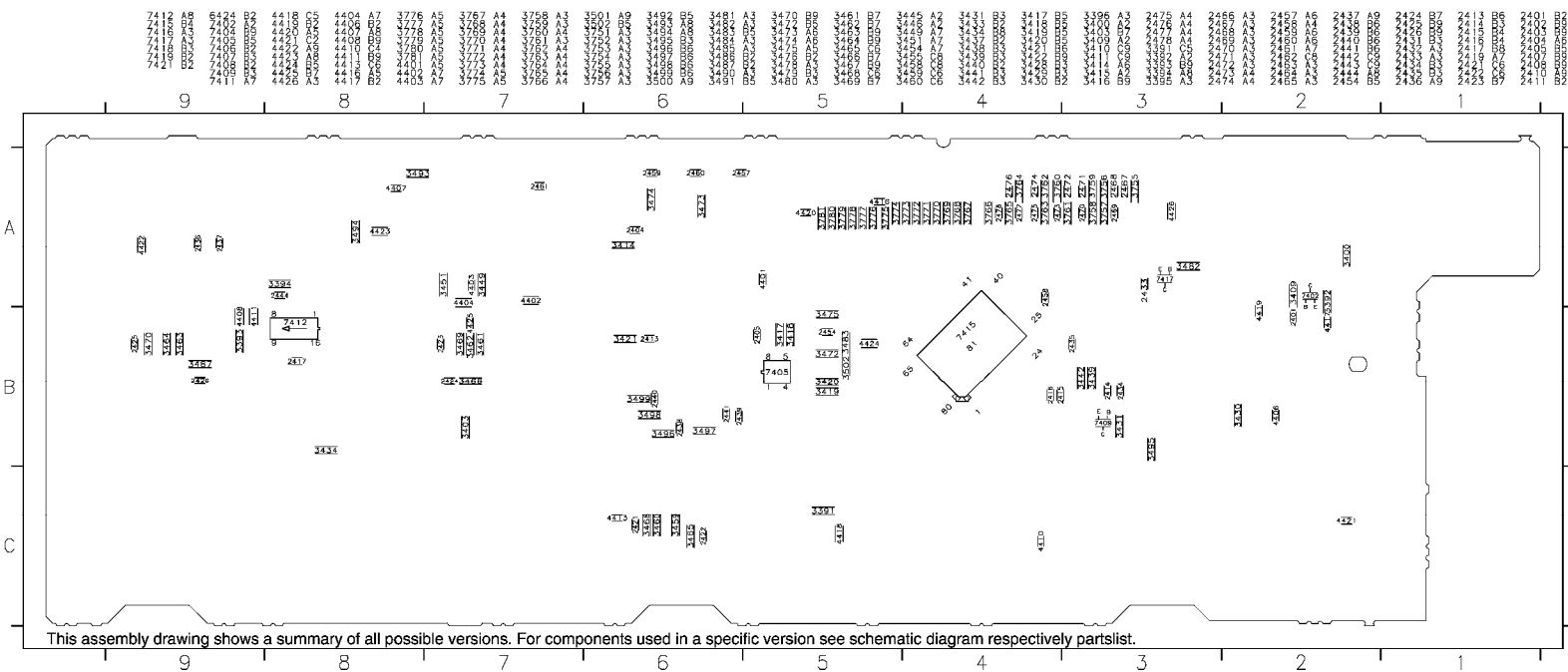
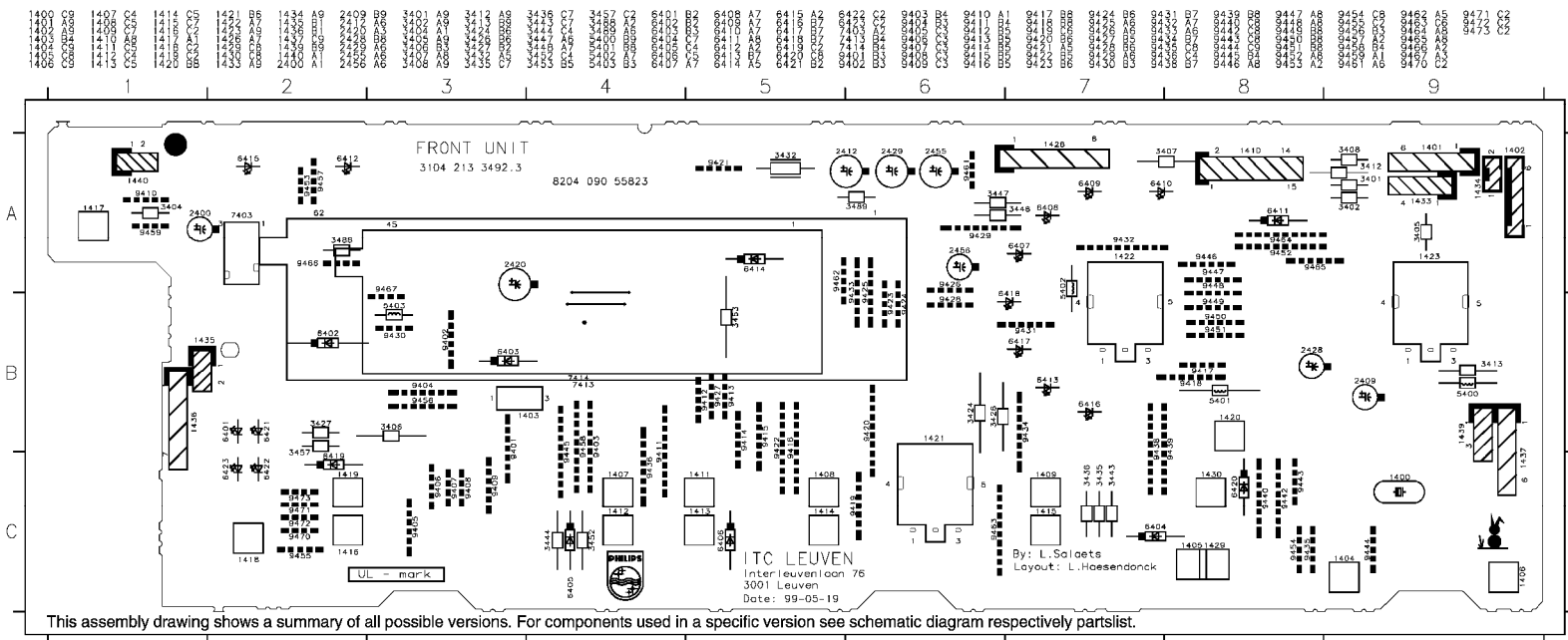
1251	A1	1260	B3	2259	D7	2271	I6	2277	L8	2290	H5	3266	E7	3292	H7	6258	I3	6265	J6	6280	E6	7910	G6
1253	I1	1261	C3	2260	C7	2272	K4	2278	M3	2295	H6	3268	E5	3293	H6	6259	I4	6267	L8	6281	F8	9251	B2
1254	L1	1262	D2	2266	I3	2273	K5	2281	H5	3254	J5	3269	E5	3294	H6	6260	H6	6268	K2	7253	M3	9252	C2
1255	F1	1265	G9	2268	J4	2274	K6	2282	H7	3256	M4	3270	E7	3295	I7	6261	J3	6274	D3	7257	D5	9260	E3
1257	L8	2251	B3	2269	J5	2275	K4	2283	E4	3257	L3	3271	E8	6251	B4	6262	J3	6275	D2	7258	D6	9285	C3
1258	E3	2254	C5	2270	I5	2276	L5	2287	K3	3258	M3	3291	G4	6257	I3	6263	J4	6276	E6	7908	H6		

MONOBOARD SUPPLY FR740 - FR965/17

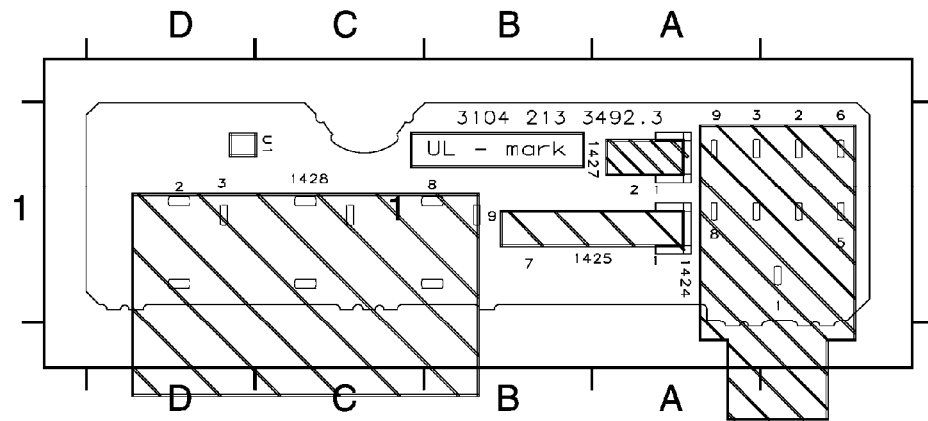


.....V - Voltage measured during normal operation
 - Source position : Tuner FM
 - No special features ON
 Δ Only FR740
 ○ Only FR965/17
 [] Stand by

FRONT BOARD - COMPONENT & COPPER SIDE VIEW

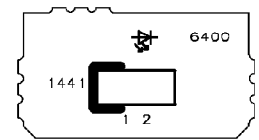


HEADPHONE BOARD - COMPONENT VIEW

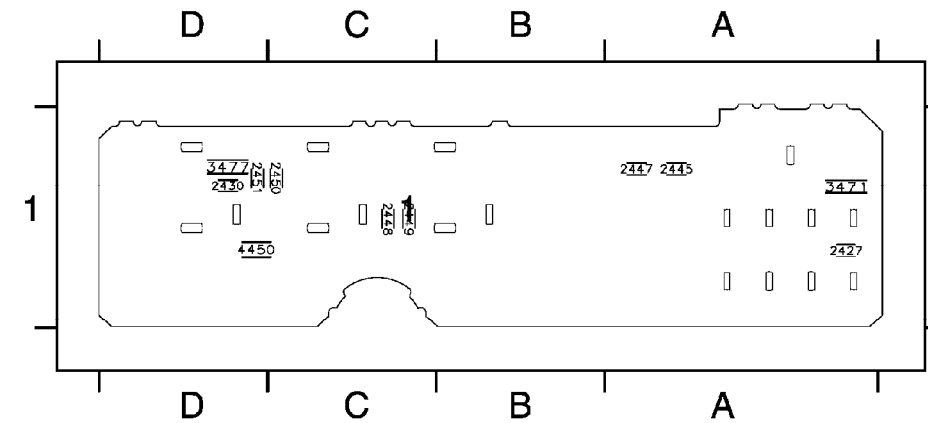


- U1 C1
- 1424 A1
- 1425 A1
- 1427 A1
- 1428 C1

LED BOARD - COMPONENT VIEW



HEADPHONE BOARD - COPPER SIDE VIEW

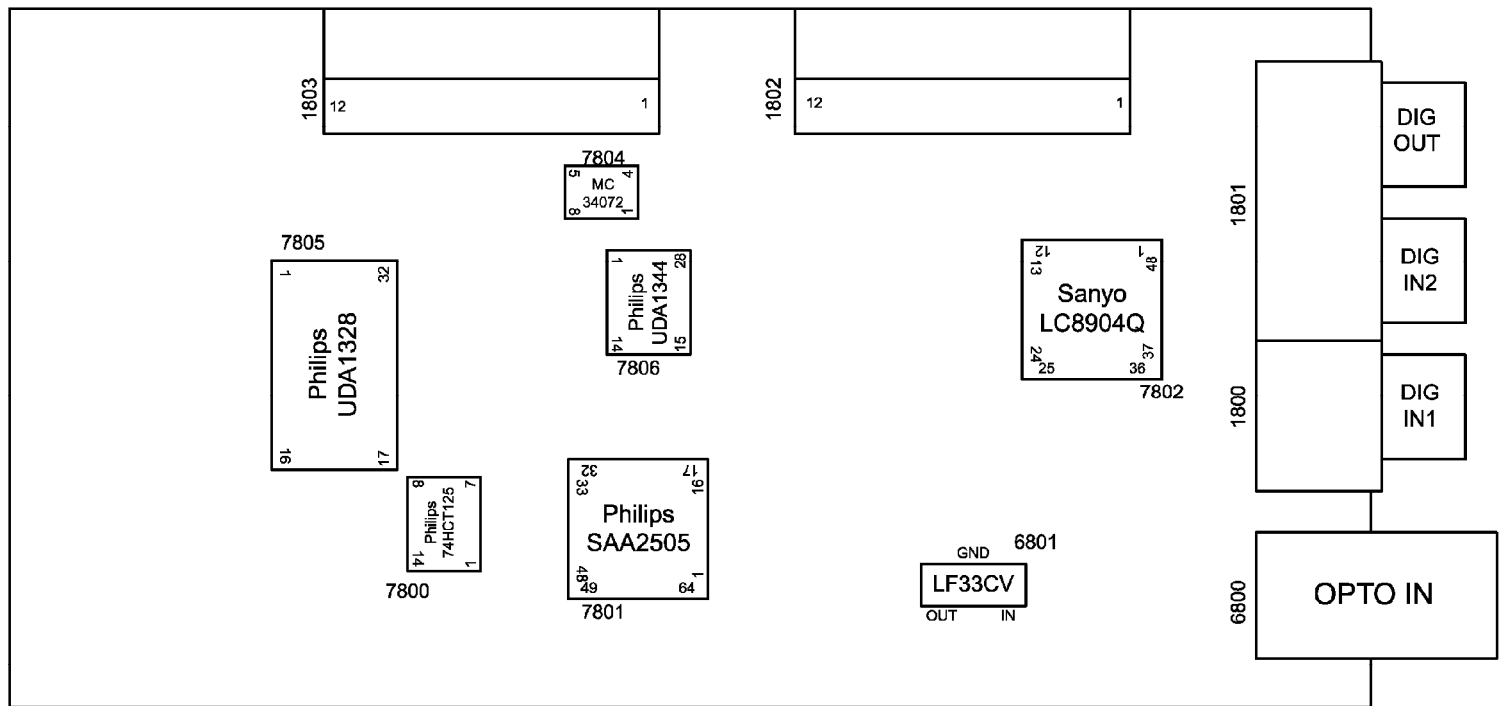


- 2427 A1
- 2430 D1
- 2445 A1
- 2447 A1
- 2448 C1
- 2449 C1
- 2450 C1
- 2451 D1
- 3471 A1
- 3477 D1
- 4450 D1

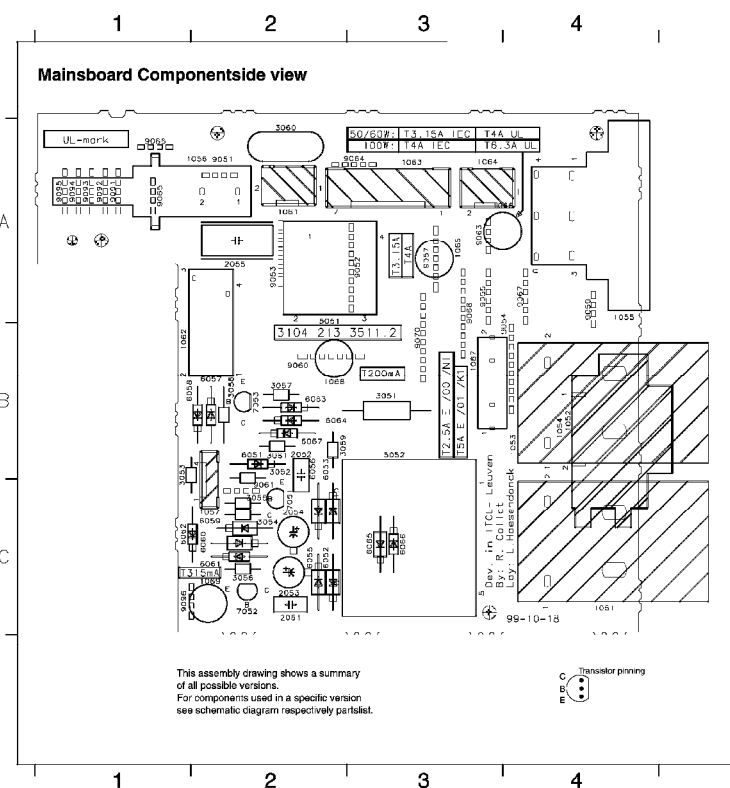
ELECTRICAL PARTSLIST - MDM MODULE

1003	3104 217 05750	MDM Module
1800	4822 267 31729	Connector
1801	4822 267 31448	Connector
6800	4822 218 11487	GP1F32R
6801	4822 209 16978	LF33CV

Note: Only the parts mentioned in this list are normal service parts.

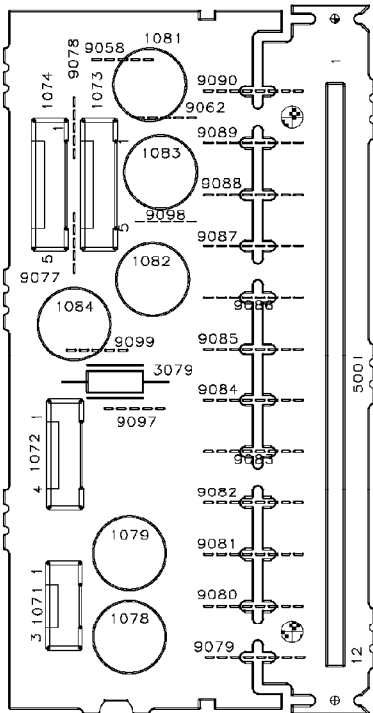


MAINS BOARD - COMPONENTSIDE VIEW & COPPERSIDE VIEW

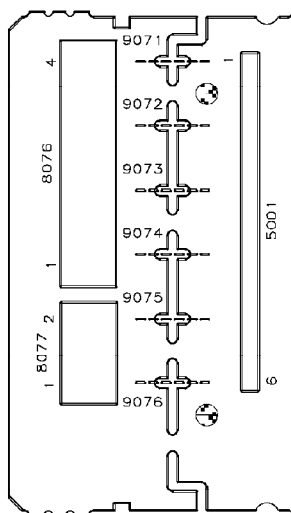


Copperside view

Interconnection Board
Transformer secondary

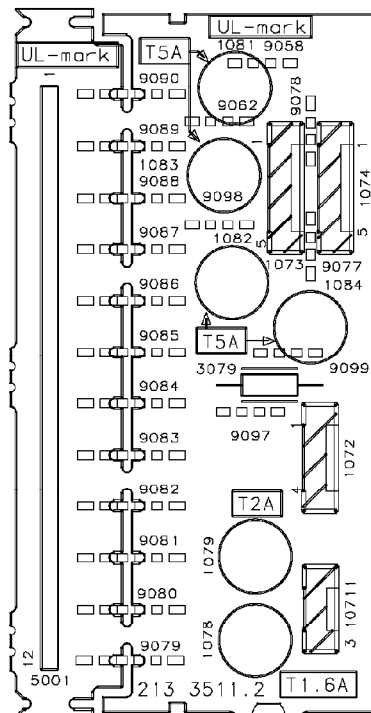


Interconnection Board
Transformer primary

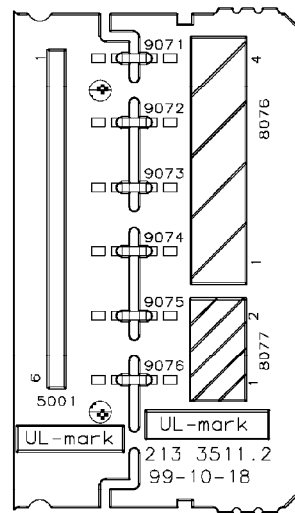


Componentside view

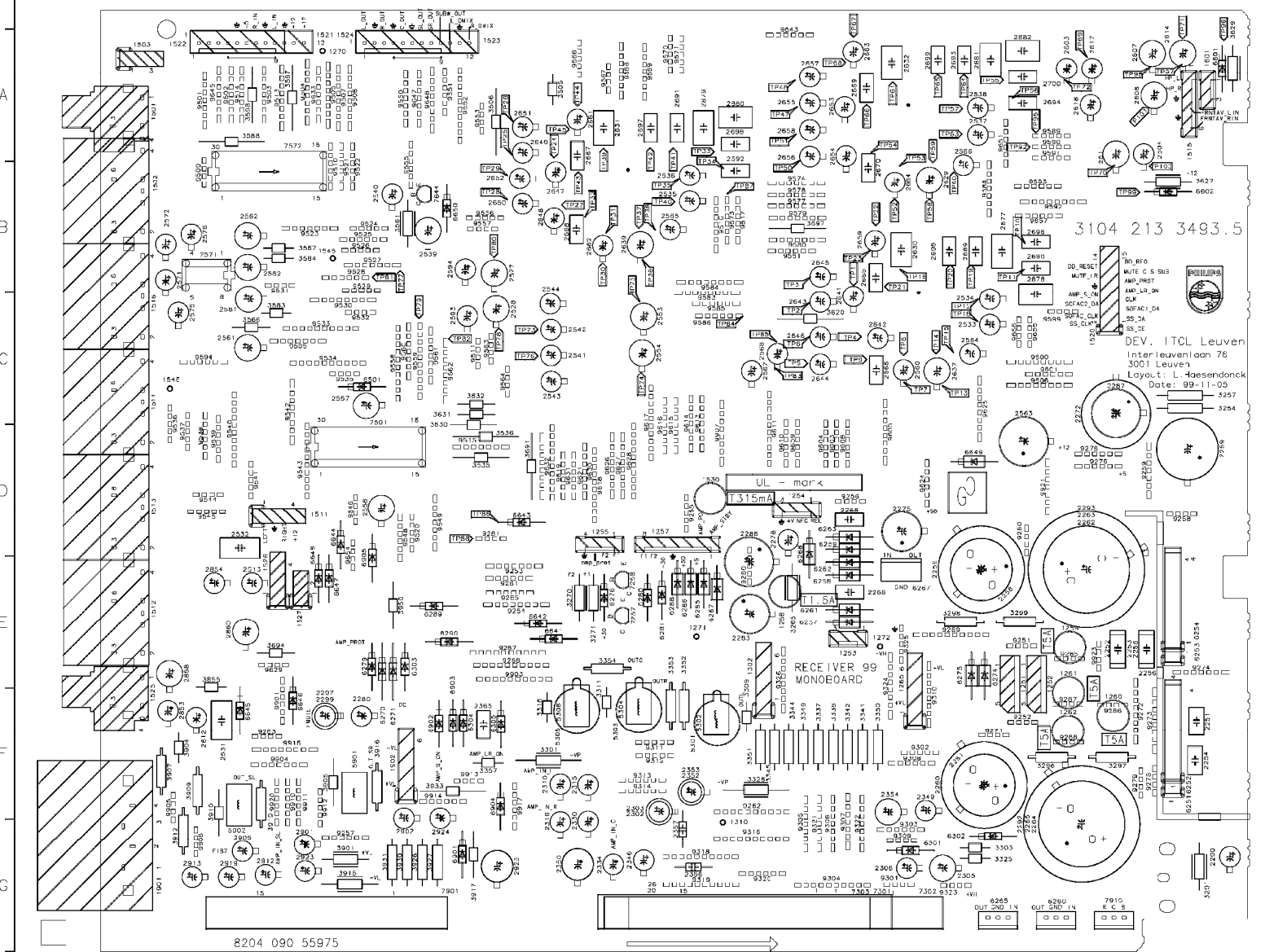
Interconnection Board
Transformer secondary



Interconnection Board
Transformer primary



1 2 3 4 5 6 7 8 9



3104 213 3493.5

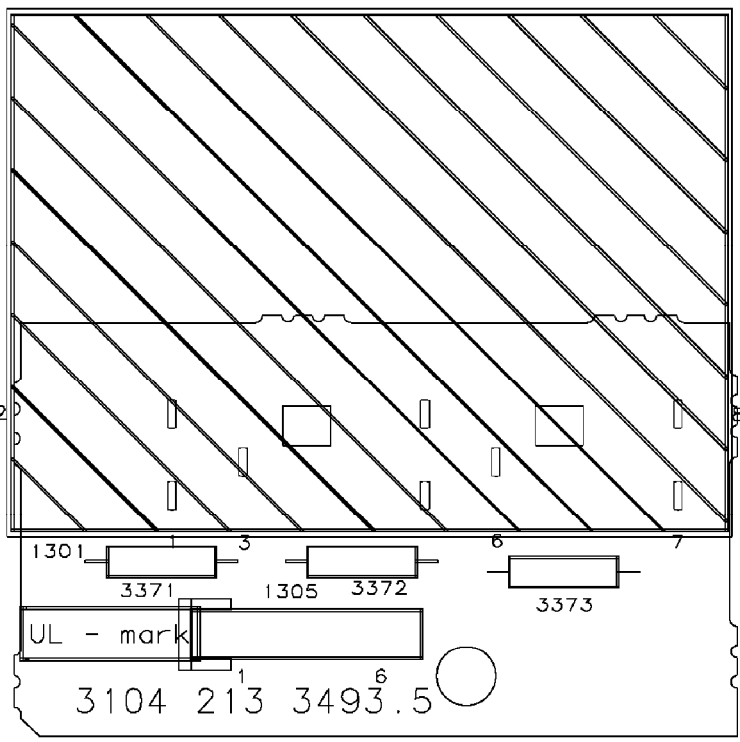
DEV. ITCL Leuven
Interleuvenaan 76
3001 Leuven
Loyalt L. Haesendonck
Date: 99-11-05

RECEIVER MONOBOARD

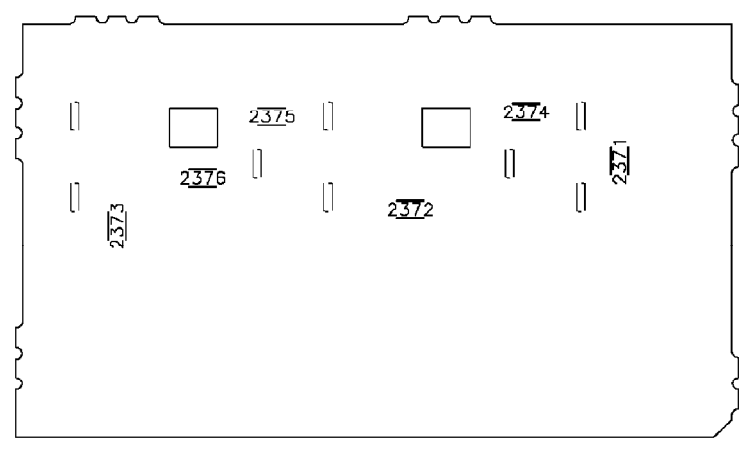
UL - mor

8204 090 55975

CLICK FIT SPEAKER BOARD COMPONENT VIEW



CLICK FIT SPEAKER BOARD COPPER SIDE VIEW



Service and Quality
Service Publications Dept.
One Philips Drive
P.O. Box 14810
Knoxville, TN 37914

Parts List

REFER TO SAFETY GUIDELINES

SAFETY NOTICE: ANY PERSON ATTEMPTING TO SERVICE THIS CHASSIS MUST FAMILIARIZE HIMSELF WITH THE CHASSIS AND BE AWARE OF THE NECESSARY SAFETY PRECAUTIONS TO BE USED WHEN SERVICING ELECTRONIC EQUIPMENT CONTAINING HIGH VOLTAGES.

CAUTION: USE A SEPARATE ISOLATION TRANSFORMER FOR THIS UNIT WHEN SERVICING

FRONT DISPLAY BOARD PARTS LIST

FRONT DISPLAY BOARD PARTS LIST			FRONT DISPLAY BOARD PARTS LIST				
MISCELLANEOUS							
1403	Crystal, 8MHz.	4822 242	72066	3401	10K, 1%, 0.6W.	4822 050	21003
1404	SWITCH,-PUSH BUTTON.	4822 276	13114	3402	10K, 1%, 0.6W.	4822 050	21003
1405	SWITCH,-PUSH BUTTON.	4822 276	13114	3403	6K8, 1%, 0.1W.	4822 117	11507
1406	SWITCH,-PUSH BUTTON.	4822 276	13114	3404	330 Ohm, 5%, 0.5W.	4822 116	52219
1407	SWITCH,-PUSH BUTTON.	4822 276	13114	3405	22K, 5%, 0.5W.	4822 116	52257
1408	SWITCH,-PUSH BUTTON.	4822 276	13114	3406	10K, 1%, 0.6W.	4822 050	21003
1409	SWITCH,-PUSH BUTTON.	4822 276	13114	3407	10K, 1%, 0.6W.	4822 050	21003
1410	Connector, 15FE-BT-VK-N.	4822 265	10981	3408	10K, 1%, 0.6W.	4822 050	21003
1411	SWITCH,-PUSH BUTTON.	4822 276	13114	3409	1K, 2%, 0.25W.	4822 051	10102
1412	SWITCH,-PUSH BUTTON.	4822 276	13114	3414	1K, 2%, 0.25W.	4822 051	10102
1413	SWITCH,-PUSH BUTTON.	4822 276	13114	3415	0 Ohm, Jumper, (0805).	4822 051	20008
1414	SWITCH,-PUSH BUTTON.	4822 276	13114	3417	10K, 1%, 0.1W.	4822 117	10833
1415	SWITCH,-PUSH BUTTON.	4822 276	13114	3418	10K, 1%, 0.1W.	4822 117	10833
1416	SWITCH,-PUSH BUTTON.	4822 276	13114	3419	10K, 1%, 0.1W.	4822 117	10833
1417	SWITCH,-PUSH BUTTON.	4822 276	13114	3420	10K, 1%, 0.1W.	4822 117	10833
1418	SWITCH,-PUSH BUTTON.	4822 276	13114	3421	10K, 1%, 0.1W.	4822 117	10833
1419	SWITCH,-PUSH BUTTON.	4822 276	13114	3424	1K, 1%, 0.4W.	4822 050	11002
1421	SWITCH, ROTARY	4822 273	10372	3426	1K, 1%, 0.4W.	4822 050	11002
1422	SWITCH, ROTARY	4822 273	10372	3427	150 Ohm, 5%, 0.5W.	4822 116	83868
1423	ROTARY ENCODER 24P.	4822 273	10365	3428	27K, 5%, 0.1W.	4822 051	20273
1424	1P YKB21-5209.	4822 265	11584	3429	22K, 5%, 0.1W.	4822 051	20223
	CAPACITORS			3430	22K, 5%, 0.1W.	4822 051	20223
2400	100uF., 20%, 10V.	4822 124	41584	3431	10K, 1%, 0.1W.	4822 117	10833
2404	1nF., 10%, X7R, 63V.	5322 122	31647	S 3432	4.7 Ohm, 5%, 0.33W.	4822 052	10478
2405	22nF., 10%, X7R, 63V.	5322 122	32654	3433	10K, 1%, 0.1W.	4822 117	10833
2411	220pF., 5%, NP0, 63V.	4822 122	33575	3434	22K, 5%, 0.1W.	4822 051	20223
2412	47uF., 20%, 50V.	4822 124	41751	3435	22K, 5%, 0.5W.	4822 116	52257
2413	22nF., 10%, X7R, 63V.	5322 122	32654	3436	22K, 5%, 0.5W.	4822 116	52257
2414	22nF., 10%, X7R, 63V.	5322 122	32654	3437	100K, 1%, 0.1W.	4822 117	10837
2415	22pF., 5%, 50V.	5322 122	32658	3438	220K 1%, 0.1W, RC12H.	4822 117	13579
2416	22pF., 5%, 50V.	5322 122	32658	3439	10K, 1%, 0.1W.	4822 117	10833
2417	22nF., 10%, X7R, 63V.	5322 122	32654	3440	47 Ohm, 5%, 0.1W.	4822 051	20479
2419	22nF., 10%, X7R, 63V.	5322 122	32654	3441	82K, 1%, 0.1W.	4822 117	11149
2420	100uF., 20%, 10V.	4822 124	23432	3442	100K, 1%, 0.1W.	4822 117	10837
2421	22nF., 10%, X7R, 63V.	5322 122	32654	3443	330 Ohm, 5%, 0.5W.	4822 116	52219
2422	22nF., 10%, X7R, 63V.	5322 122	32654	3444	330 Ohm, 5%, 0.5W.	4822 116	52219
2423	22nF., 10%, X7R, 63V.	5322 122	32654	3445	330 Ohm, 1%, RC12H, 1.25W.	4822 117	13577
2424	22nF., 10%, X7R, 63V.	5322 122	32654	3446	330 Ohm, 1%, RC12H, 1.25W.	4822 117	13577
2425	22nF., 10%, X7R, 63V.	5322 122	32654	3447	330 Ohm, 5%, 0.5W.	4822 116	52219
2426	22nF., 10%, X7R, 63V.	5322 122	32654	3448	330 Ohm, 5%, 0.5W.	4822 116	52219
2427	1nF., 10%, X7R, 63V.	5322 122	31647	3449	100K, 1%, 0.1W.	4822 117	10837
2428	4.7uF., 20%, 100V.	4822 124	40769	3451	10K, 1%, 0.1W.	4822 117	10833
2429	47uF., 20%, 50V.	4822 124	41751	3452	330 Ohm, 5%, 0.5W.	4822 116	52219
2431	100pF., 5%, NP0, 50V.	5322 122	32531	3453	330 Ohm, 5%, 0.5W.	4822 116	52219
2432	100pF., 5%, NP0, 50V.	5322 122	32531	3455	22K, 5%, 0.1W.	4822 051	20223
2433	100pF., 5%, NP0, 50V.	5322 122	32531	3457	330 Ohm, 5%, 0.5W.	4822 116	52219
2434	220nF., +80/-20%, 25V.	4822 126	14076	3459	10K, 1%, 0.1W.	4822 117	10833
2435	220pF., 5%, NP0, 63V.	4822 122	33575	3460	10K, 1%, 0.1W.	4822 117	10833
2436	220pF., 5%, NP0, 63V.	4822 122	33575	3461	10K, 1%, 0.1W.	4822 117	10833
2437	220pF., 5%, NP0, 63V.	4822 122	33575	3462	10K, 1%, 0.1W.	4822 117	10833
2438	220pF., 5%, NP0, 63V.	4822 122	33575	3463	10K, 1%, 0.1W.	4822 117	10833
2439	220pF., 5%, NP0, 63V.	4822 122	33575	3464	10K, 1%, 0.1W.	4822 117	10833
2440	220pF., 5%, NP0, 63V.	4822 122	33575	3465	220 Ohm, 1%, 0.1W.	4822 117	11503
2441	220pF., 5%, NP0, 63V.	4822 122	33575	3466	220 Ohm, 1%, 0.1W.	4822 117	11503
2444	22nF., 10%, X7R, 63V.	5322 122	32654	3467	220 Ohm, 1%, 0.1W.	4822 117	11503
2445	4.7nF., 10%, X7R, 63V.	5322 126	10223	3468	220 Ohm, 1%, 0.1W.	4822 117	11503
2447	4.7nF., 10%, X7R, 63V.	5322 126	10223	3469	220 Ohm, 1%, 0.1W.	4822 117	11503
2454	22nF., 10%, X7R, 63V.	5322 122	32654	3470	220 Ohm, 1%, 0.1W.	4822 117	11503
2455	47uF., 20%, 50V.	4822 124	41751	3471	1K, 2%, 0.25W.	4822 051	10102
2456	47uF., 20%, 25V.	4822 124	40433	3472	1K, 2%, 0.25W.	4822 051	10102
2457	22nF., 10%, X7R, 63V.	5322 122	32654	3473	0 Ohm, Jumper, (0805).	4822 051	20008
2458	22nF., 10%, X7R, 63V.	5322 122	32654	3474	0 Ohm, Jumper, (0805).	4822 051	20008
2459	22nF., 10%, X7R, 63V.	5322 122	32654	3475	100K, 1%, 0.1W.	4822 117	10837
2460	22nF., 10%, X7R, 63V.	5322 122	32654	3478	100K, 1%, 0.1W.	4822 117	10837
2461	22nF., 10%, X7R, 63V.	5322 122	32654	3479	1K, 2%, 0.25W.	4822 051	10102
2462	1nF., 10%, X7R, 63V.	5322 122	31647	3480	100K, 1%, 0.1W.	4822 117	10837
2463	100pF., 5%, NP0, 50V.	5322 122	32531	3481	1K, 2%, 0.25W.	4822 051	10102
2464	100pF., 5%, NP0, 50V.	5322 122	32531	3482	100K, 1%, 0.1W.	4822 117	10837
2465	100pF., 5%, NP0, 50V.	5322 122	32531	3483	100K, 1%, 0.1W.	4822 117	10837
2466	100pF., 5%, NP0, 50V.	5322 122	32531	3484	1K, 2%, 0.25W.	4822 051	10102
2467	100pF., 5%, NP0, 50V.	5322 122	32531	3485	0 Ohm, Jumper, (0805).	4822 051	20008
2468	100pF., 5%, NP0, 50V.	5322 122	32531	3491	100K, 1%, 0.1W.	4822 117	10837
2469	100pF., 5%, NP0, 50V.	5322 122	32531	3493	470 Ohm, 5%, 0.1W.	4822 051	20471
2470	100pF., 5%, NP0, 50V.	5322 122	32531	3494	470 Ohm, 5%, 0.1W.	4822 051	20471
2471	100pF., 5%, NP0, 50V.	5322 122	32531	3495	470 Ohm, 5%, 0.1W.	4822 051	20471
2472	100pF., 5%, NP0, 50V.	5322 122	32531	3496	470 Ohm, 5%, 0.1W.	4822 051	20471
2473	100pF., 5%, NP0, 50V.	5322 122	32531	3497	470 Ohm, 5%, 0.1W.	4822 051	20471
2474	100pF., 5%, NP0, 50V.	5322 122	32531	3498	470 Ohm, 5%, 0.1W.	4822 051	20471
2475	100pF., 5%, NP0, 50V.	5322 122	32531	3499	470 Ohm, 5%, 0.1W.	4822 051	20471
2476	100pF., 5%, NP0, 50V.	5322 122	32531	3500	470 Ohm, 5%, 0.1W.	4822 051	20471
2477	100pF., 5%, NP0, 50V.	5322 122	32531	3501	470 Ohm, 5%, 0.1W.	4822 051	20471
2478	100pF., 5%, NP0, 50V.	5322 122	32531	3502	1K, 2%, 0.25W.	4822 051	10102
	RESISTORS			3751	33K, 5%, 0.1W.	4822 051	20333
3391	1K, 2%, 0.25W.	4822 051	10102	3752	33K, 5%, 0.1W.	4822 051	20333
3392	22K, 5%, 0.1W.	4822 051	20223	3753	33K, 5%, 0.1W.	4822 051	20333
3393	22K, 5%, 0.1W.	4822 051	20223	3754	33K, 5%, 0.1W.	4822 051	20333
3394	22K, 5%, 0.1W.	4822 051	20223	3755	33K, 5%, 0.1W.	4822 051	20333
3395	0 Ohm, Jumper, (0805).	4822 051	20008	3756	33K, 5%, 0.1W.	4822 051	20333
3400	47R, 5%, 0.1W.	4822 051	20479	3757	33K, 5%, 0.1W.	4822 051	20333
				3758	33K, 5%, 0.1W.	4822 051	20333
				3759	33K, 5%, 0.1W.	4822 051	20333
				3760	33K, 5%, 0.1W.	4822 051	20333

S = Safety Part Be sure to use exact replacement part.

3761	33K, 5%, 0.1W.	4822 051 20333	2104	100pF., 10%, 50V.	4822 122 33195
3762	33K, 5%, 0.1W.	4822 051 20333	2106	3.0-11pF., N450, 100V.	4822 125 60101
3763	33K, 5%, 0.1W.	4822 051 20333	2107	1uF., 10%, 63V.	4822 121 51319
3764	33K, 5%, 0.1W.	4822 051 20333	2120	22pF., 5%, 50V.	5322 122 32658
3765	33K, 5%, 0.1W.	4822 051 20333	2125	560pF., 5%, 400V.	4822 121 51381
3766	33K, 5%, 0.1W.	4822 051 20333	2126	330pF., 5%, 63V.	5322 122 31863
3767	33K, 5%, 0.1W.	4822 051 20333	2127	220nF., 80-20%, 50V.	4822 126 13473
3768	33K, 5%, 0.1W.	4822 051 20333	2128	10uF., 20%, 50V.	4822 124 41579
3769	33K, 5%, 0.1W.	4822 051 20333	2129	100uF., 20%, 10V.	4822 124 41584
3770	33K, 5%, 0.1W.	4822 051 20333	2130	22nF., +80-20%, Y5V 25V.	4822 126 11585
3771	33K, 5%, 0.1W.	4822 051 20333	2131	470nF., 80/20%, 16V.	4822 126 13482
3772	33K, 5%, 0.1W.	4822 051 20333	2132	470nF., 80/20%, 16V.	4822 126 13482
3773	33K, 5%, 0.1W.	4822 051 20333	2133	1uF., 20%, 63V.	4822 124 40242
3774	33K, 5%, 0.1W.	4822 051 20333	2134	15nF., 5%, X7R, 63V, only in /01.	4822 126 13188
3775	33K, 5%, 0.1W.	4822 051 20333	2134	22nF., 10%, X7R, 63V, only in /17.	5322 122 32654
3776	33K, 5%, 0.1W.	4822 051 20333	2135	0.22uF., 20%, 63V.	4822 124 40746
3777	33K, 5%, 0.1W.	4822 051 20333	2136	15nF., 5%, X7R, 63V, only in /01.	4822 126 13188
3778	33K, 5%, 0.1W.	4822 051 20333	2136	22nF., 10%, X7R, 63V, only in /17.	5322 122 32654
3779	33K, 5%, 0.1W.	4822 051 20333	2137	0.22uF., 20%, 63V.	4822 124 40746
3780	33K, 5%, 0.1W.	4822 051 20333	2138	2.2uF., 20%, 50V.	4822 124 41576
3781	33K, 5%, 0.1W.	4822 051 20333	2139	15pF., 5%, 50V.	4822 126 14236
4401	0 Ohm, Jumper, (0805).	4822 051 20008	2141	100nF., 20%, Y5V 25V.	4822 126 10002
4402	0 Ohm, Jumper, (0805).	4822 051 20008	2142	100nF., 20%, Y5V 25V.	4822 126 10002
4403	0 Ohm, Jumper, (0805).	4822 051 20008	2143	220nF., 80-20%, 50V.	4822 126 13473
4404	0 Ohm, Jumper, (0805).	4822 051 20008	2144	1uF., 20%, 63V.	4822 124 40242
4406	0 Ohm, Jumper, (0805).	4822 051 20008	2145	220pF., 5%, NP0, 63V.	4822 122 33575
4407	0 Ohm, Jumper, (0805).	4822 051 20008	2146	220pF., 5%, NP0, 63V.	4822 122 33575
4408	0 Ohm, Jumper, (0805).	4822 051 20008	2147	220pF., 5%, NP0, 63V.	4822 122 33575
4410	0 Ohm, Jumper, (0805).	4822 051 20008	2148	22nF., +80-20%, Y5V 25V.	4822 126 11585
4411	0 Ohm, Jumper, (0805).	4822 051 20008	2149	22nF., 10%, X7R, 63V.	5322 122 32654
4413	0 Ohm, Jumper, (0805).	4822 051 20008	2150	100nF., 20%, Y5V 63V.	4822 122 31947
4416	0 Ohm, Jumper, (0805).	4822 051 20008	2152	33nF., 5%, 50V.	4822 126 12105
4417	0 Ohm, Jumper, (0805).	4822 051 20008	2153	15pF., 2%, NP0, 50V 1206.	4822 122 32504
4418	0 Ohm, Jumper, (0805).	4822 051 20008	2155	3.0-11pF., N450 100V.	4822 125 60101
4420	0 Ohm, Jumper, (0805).	4822 051 20008	2159	33pF., 5%, 50V.	5322 122 32659
4421	0 Ohm, Jumper, (0805).	4822 051 20008	2160	22nF., 10%, X7R, 63V.	5322 122 32654
4422	0 Ohm, Jumper, (0805).	4822 051 20008	2164	470nF., 80/20%, 16V.	4822 126 13482
4423	0 Ohm, Jumper, (0805).	4822 051 20008	2165	100nF., 20%, Y5V 25V.	4822 126 10002
4424	0 Ohm, Jumper, (0805).	4822 051 20008	2166	1nF., 10%, X7R, 50V.	5322 122 34123
4425	0 Ohm, Jumper, (0805).	4822 051 20008	2167	12pF., 2%, NP0, 63V.	4822 122 32139
4426	0 Ohm, Jumper, (0805).	4822 051 20008	2168	82pF., 1%, NP0, 63V.	4822 126 13695
4450	0 Ohm, Jumper, (0805).	4822 051 20008		RESISTORS	
	COILS & FILTERS		3101	33k, 5%, 0.1W.	4822 051 20333
5401	Coil, 2.2uH., LAL02TB2R2J.	4822 157 11477	3102	100K 5%, 0.1W.	4822 051 20104
5402	Coil, 2.2uH., LAL02TB2R2J.	4822 157 11477	3103	18k, 1%, 0.1W.	4822 117 10965
5403	Coil, 2.2uH., LAL02TB2R2J.	4822 157 11477	3104	180 Ohm, 1%, 0.1W.	4822 117 11448
	SEMICONDUCTORS		3105	220 Ohm, 5%, 0.5W.	4822 116 83872
6400	Diode, LTL1214A.	9322 100 14682	3110	47 Ohm, 5%, 0.5W.	4822 116 52195
6401	Diode, LED, LTL-16KPE-P.	4822 130 82978	3120	0 Ohm Jumper (0805).	4822 051 20008
6402	Diode, 1N4148.	4822 130 30621	3132	47 Ohm, 5%, 0.5W.	4822 116 52195
6403	Diode, 1N4148.	4822 130 30621	3134	22k, 5%, 0.1W.	4822 051 20223
6404	Diode, 1N4148.	4822 130 30621	3141	56k, 1%, 0.1W.	4822 117 11148
6405	Diode, 1N4148.	4822 130 30621	3142	100k, 30%, LIN 0.1W.	4822 100 11163
6406	Diode, 1N4148.	4822 130 30621	3145	2.2K, 1%, 0.1W.	4822 117 11449
6407	Diode, LED, LTL-16KPE-P.	4822 130 82978	3146	22 Ohm, 5%, 0.1W.	4822 051 20229
6408	Diode, LED, LTL-16KPE-P.	4822 130 82978	3152	470 Ohm, 5%, 0.5W.	4822 116 83883
6409	Diode, LED, LTL-16KPE-P.	4822 130 82978	3153	470 Ohm, 5%, 0.1W.	4822 051 20471
6410	Diode, LED, LTL-16KPE-P.	4822 130 82978	3154	150 Ohm, 5%, 0.5W.	4822 116 83868
6412	Diode, LED, LTL-16KPE-P.	4822 130 82978	3155	470 Ohm, 5%, 0.1W.	4822 051 20471
6413	Diode, LED, LTL-16KPE-P.	4822 130 82978	3156	100k, 5%, 0.1W only in /01.	4822 051 20104
6414	Diode, 1N4148.	4822 130 30621	3158	470 Ohm, 5%, 0.5W.	4822 116 83883
6415	Diode, LED, LTL-16KPE-P.	4822 130 82978	3159	470 Ohm, 5%, 0.5W.	4822 116 83883
6416	Diode, LED, LTL-16KPE-P.	4822 130 82978	3160	470 Ohm, 5%, 0.5W.	4822 116 83883
6417	Diode, LED, LTL-16KPE-P.	4822 130 82978	3161	470 Ohm, 5%, 0.5W.	4822 116 83883
6418	Diode, LED, LTL-16KPE-P.	4822 130 82978	3167	220 Ohm, 1%, 0.1W.	4822 117 11503
6419	Diode, 1N4148.	4822 130 30621	3169	150k, 5%, 0.1W.	4822 051 20154
6421	Diode, LED, LTL-16KPE-P.	4822 130 82978	3170	100k, 5%, 0.5W.	4822 116 52234
7402	Transistor, PDTA144ET.	4822 130 11607	3171	330 Ohm, 5%, 0.5W.	4822 116 52219
7403	IC, GP1U28XP.	4822 130 10165	4101	0 Ohm Jumper (0805).	4822 051 20008
7405	IC, M24C08-MN6.	4822 209 17445	4102	0 Ohm Jumper (0805).	4822 051 20008
7406	Transistor, BC847B.	4822 130 60511	4103	0 Ohm Jumper (0805).	4822 051 20008
7407	Transistor, BC847B.	4822 130 60511	4104	0 Ohm Jumper (0805).	4822 051 20008
7408	Transistor, BC847B.	4822 130 60511	4105	0 Ohm Jumper (0805).	4822 051 20008
7409	Transistor, BC847B.	4822 130 60511	4106	0 Ohm Jumper (0805).	4822 051 20008
7411	IC, HEF4094BT.	5322 209 11306	4108	0 Ohm Jumper (0805).	4822 051 20008
7412	IC, HEF4094BT.	5322 209 11306	4111	0 Ohm Jumper (0805).	4822 051 20008
7413	Display, VFD 16-MT-65GK.	2722 171 07168	4120	0 Ohm Jumper (0805).	4822 051 20008
7415	IC, Microprocessor, TMP87CS71F-FR970.	3103 308 84150	4150	0 Ohm, 5%, 0.25W.	4822 051 10008
7416	Transistor, BC847B.	4822 130 60511	4152	0 Ohm, 5%, 0.25W.	4822 051 10008
7417	Transistor, BC847B.	4822 130 60511	4153	0 Ohm, 5%, 0.25W.	4822 051 10008
7418	Transistor, BC847B.	4822 130 60511	4154	0 Ohm, 5%, 0.25W.	4822 051 10008
			4157	0 Ohm, 5%, 0.25W.	4822 051 10008
			4158	0 Ohm, 5%, 0.25W.	4822 051 10008
			4159	0 Ohm, 5%, 0.25W.	4822 051 10008
				COILS & FILTERS	
				MW RF COIL.	4822 157 71634
				SFE, 10.7MHz.	4822 242 70665
				SFE, 10.7MHz.	4822 242 70665
				SFE, 10.7MHz.	4822 242 70665
				AM-IF, Filter 10.7MHz.	4822 158 60511
				AM-IF, Filter 10.7MHz.	4822 157 70302
				AM-IF, Filter 10.7MHz.	4822 157 70302
				Discriminator, 10.7MHz.	4822 157 11443

S = Safety Part Be sure to use exact replacement part.

5121	Quartz 75kHz	4822 242 10261	5304	Filter Coil	4822 157 62255
5123	Osc Coil MW	4822 157 60517	5306	Filter Coil	4822 157 62255
5130	RF-Coil 1.5T	4822 156 30947	5901	Filter Coil	4822 157 62255
5131	RF-Coil 1.5T	4822 156 30947	5902	Filter Coil	4822 157 62255
SEMICONDUCTORS					
6103	Diode, 1N4148	4822 130 30621	2251	100nF., 5%, 250V	5322 121 42578
6104	Diode, 1N4148	4822 130 30621	2254	100nF., 5%, 250V	5322 121 42578
6105	Diode, HN1V02H-B	4822 130 83075	2259	4700uF., 20%, 50V	4822 124 80415
6106	Diode, 1N4148	4822 130 30621	2260	4700uF., 20%, 50V	4822 124 80415
6107	Diode, BZX79-B11	4822 130 34488	2266	100nF., 5%, 63V	5322 121 42386
6120	Diode, 1N4148, only in /17	4822 130 30621	2268	100nF., 5%, 63V	5322 121 42386
6130	Diode, 1SV228	4822 130 82833	2269	2200uF., 20%, 35V	4822 124 11583
6131	Diode, 1SV228	4822 130 82833	2270	100nF., Y5V 0805 50V	4822 126 13838
7101	IC, TEA5757H/V1	4822 209 90924	2271	470nF., 10%, 16V	4822 126 14583
7102	Transistor, 2SA838B	4822 130 60093	2272	6800uF., 16V	4822 124 12328
7111	Transistor, BC848C	5322 130 42136	2273	100nF., 10%, X7R, 50V	4822 126 14585
MDM MODULE PARTS					
MDM MODULE PARTS					
1003	MDM Module (Complete)	3104 217 05750	2274	470nF., 10%, 16V XTR 0805	4822 126 14583
1800	Connector	4822 267 31729	2275	1000uF., 16V	4822 124 81144
1801	Connector	4822 267 31448	2276	100nF., 10%, X7R, 50V	4822 126 14585
6800	GPLF32R	4822 218 11487	2277	470nF., 10%, 16V	4822 126 14583
6801	LF33CV Stabilizer	4822 209 16978	2278	2.2uF., 20%, 50V	4822 124 22652
MAINS BOARD PARTS LIST					
MAINS BOARD PARTS LIST					
MISCELLANEOUS					
S 1052	MAINS OUTLET	2422 030 00301	2280	100uF., 20%, 10V	4822 124 41584
S 1054	MAINS OUTLET	2422 030 00301	2281	100nF., Y5V, 50V	4822 126 13838
S 1056	MAINS SWITCH	4822 276 13224	2282	470nF., 10%, 16V	4822 126 14583
S 1061	MAINS INLET	4822 265 20723	2283	220uF., 20%, 50V	4822 124 11769
S 1062	RELAY	4822 280 10391	2290	10uF., 20%, 63V	4822 124 40248
1064	B2P3-VH	4822 265 20723	2295	10nF., 20%, X7R, 50V	4822 122 33177
S 1066	FUSE, 4A	4822 253 10126	2297	10uF., 20%, 63V	4822 124 40248
S 1069	FUSE, 315MA	4822 071 53151	2298	47nF., 10%, X7R, 63V	4822 126 13751
S 1078	FUSE, 1.6A	4822 071 51602	2301	22nF., 10%, X7R, 63V	5322 122 32654
S 1079	FUSE, 2A	4822 071 52002	2302	22uF., 50V	4822 124 81151
S 5052	Transformer, Standby /17	4822 146 11142	2306	10uF., 20%, 63V	4822 124 40248
CAPACITORS					
2051	47nF., 5%, 250V	4822 121 43526	2307	4.7pF., 5%, NP0, 50V	5322 122 32287
2052	47nF., 5%, 250V	4822 121 43526	2310	10uF., 20%, 63V	4822 124 40248
2055	4.7nF., 20% 250V	4822 126 14084	2311	470pF., 10%, 50V	5322 122 32268
RESISTORS					
S 3051	10 Meg, 5%, 0.5W	4822 053 21106	2313	220pF., 5%, NP0, 63V	4822 122 33575
3052	1K, 1%, 0.4W	4822 050 11002	2314	220nF., 80-20%, 50V	4822 126 13473
3053	1K, 1%, 0.4W	4822 050 11002	2315	100uF., 20%, 10V	4822 124 41584
3057	12 Ohm, 5%, 0.33W	4822 052 10129	2316	10uF., 20%, 63V	4822 124 40248
3058	2.2K, 5%, 0.5W	4822 116 52256	2319	470pF., 10%, 50V	5322 122 32268
3059	10K, 1%, 0.6W	4822 050 21003	2321	220nF., 80-20%, 50V	4822 126 13473
3061	10K, 1%, 0.6W	4822 050 21003	2324	4.7pF., 5%, NP0, 50V	5322 122 32287
SEMICONDUCTORS					
6051	Diode, 1N4148	4822 130 30621	2325	220pF., 5%, NP0, 63V	4822 122 33575
6052	Diode, 1N4003G	4822 130 31878	2330	100uF., 20%, 10V	4822 124 41584
6053	Diode, 1N4003G	4822 130 31878	2333	220nF., 80-20%, 50V	4822 126 13473
6055	Diode, 1N4003G	4822 130 31878	2334	10uF., 20%, 63V	4822 124 40248
6056	Diode, 1N4003G	4822 130 31878	2337	470pF., 10%, 50V	5322 122 32268
6057	Diode, 1N4148	4822 130 30621	2341	220pF., 5%, NP0, 63V	4822 122 33575
6058	Diode, 1N4148	4822 130 30621	2346	100uF., 20%, 10V	4822 124 41584
6062	Diode, 1N4148	4822 130 30621	2347	4.7pF., 5%, NP0, 50V	5322 122 32287
6063	Diode, 1N4148	4822 130 30621	2349	10uF., 20%, 63V	4822 124 40248
6064	Diode, 1N4148	4822 130 30621	2350	220uF., 20%, 10V	4822 124 40181
6066	Diode, 1N4148	4822 130 30621	2351	47nF., 10%, X7R, 63V	4822 126 13751
6067	Diode, 1N4148	4822 130 30621	2352	22uF., 50V	4822 124 81151
7053	Transistor, BC337-25	4822 130 40981	2357	100nF., +80-20%, 50V	4822 126 12882
MONO BOARD PARTS LIST					
MONO BOARD PARTS LIST					
MISCELLANEOUS					
S 1258	FUSE, 1.6A	4822 071 51602	2358	220nF., 80-20%, 50V	4822 126 13473
S 1260	FUSE, 6.3A	4822 252 51123	2359	220nF., 80-20%, 50V	4822 126 13473
S 1261	FUSE, 6.3A	4822 252 51123	2360	220nF., 80-20%, 50V	4822 126 13473
S 1262	FUSE, 1A	4822 252 51173	2365	10nF., 5%, 250V	4822 121 41857
1301	CONN LS	2422 015 19088	2371	4.7nF., 10%, X7R, 63V	5322 126 10223
1502	CINCH 4P	4822 267 31823	2372	4.7nF., 10%, X7R, 63V	5322 126 10223
1512	CINCH 4P	4822 267 31823	2373	4.7nF., 10%, X7R, 63V	5322 126 10223
1513	CINCH 4P	4822 267 31823	2374	100pF., 5%, NP0, 50V	5322 122 32531
1514	CINCH 4P	4822 267 31823	2375	100pF., 5%, NP0, 50V	5322 122 32531
1516	CINCH 4P	4822 267 31823	2376	100pF., 5%, NP0, 50V	5322 122 32531
1520	CINCH 1P	4822 265 10981	2501	1nF., 5%, NP0, 50V	5322 126 10511
1521	CON BM V 12P	2422 025 11067	2502	1nF., 5%, NP0, 50V	5322 126 10511
1523	CON BM V 12P	2422 025 11067	2505	1nF., 5%, NP0, 50V	5322 126 10511
1525	CINCH 2P	4822 265 11608	2506	1nF., 5%, NP0, 50V	5322 126 10511
S 1530	FUSE 315mA	4822 071 53151	2507	1nF., 5%, NP0, 50V	5322 126 10511
1540	CINCH 2P	4822 265 20542	2508	100pF., 5%, NP0, 50V	5322 122 32531
1542	CINCH 2P	2422 026 05134	2509	100pF., 5%, NP0, 50V	5322 122 32531
1550	CINCH 1P	4822 267 31729	2510	100pF., 5%, NP0, 50V	5322 122 32531
1801	CONN, 1P	4822 267 31996	2511	100pF., 5%, NP0, 50V	5322 122 32531
1802	CINCH 2P	4822 265 11619	2512	100pF., 5%, NP0, 50V	5322 122 32531
1803	CINCH 2P	4822 265 11619	2513	100pF., 5%, NP0, 50V	5322 122 32531
1901	CONN, CLICK 4P	4822 265 11609	2514	100pF., 5%, NP0, 50V	5322 122 32531
5302	Filter Coil	4822 157 62255	2515	100pF., 5%, NP0, 50V	5322 122 32531
			2516	100pF., 5%, NP0, 50V	5322 122 32531
			2517	100pF., 5%, NP0, 50V	5322 122 32531
			2518	100pF., 5%, NP0, 50V	5322 122 32531
			2519	100pF., 5%, NP0, 50V	5322 122 32531
			2520	100pF., 5%, NP0, 50V	5322 122 32531
			2521	100pF., 5%, NP0, 50V	5322 122 32531
			2522	100pF., 5%, NP0, 50V	5322 122 32531
			2525	100pF., 5%, NP0, 50V	5322 122 32531
			2526	100pF., 5%, NP0, 50V	5322 122 32531
			2527	47uF., 20%, 50V	4822 124 41751
			2528	47uF., 20%, 50V	4822 124 41751
			2529	100nF., Y5V 50V, +80-20%	4822 126 13838
			2530	100nF., Y5V 50V, +80-20%	4822 126 13838
			2531	220nF., 5%, 63V	4822 121 42408

S = Safety Part Be sure to use exact replacement part.

2532	220nF., 5%, 63V.	4822	121	42408	2639	47uF., 20%, 50V.	4822	124	41751
2533	22uF., 50V	4822	124	81151	2641	1uF., 20%, 63V	4822	124	21913
2534	22uF., 50V	4822	124	81151	2642	1uF., 20%, 63V	4822	124	21913
2535	22uF., 50V	4822	124	81151	2643	1uF., 20%, 63V	4822	124	21913
2536	22uF., 50V	4822	124	81151	2644	1uF., 20%, 63V	4822	124	21913
2537	22uF., 50V	4822	124	81151	2645	1uF., 20%, 63V	4822	124	21913
2538	22uF., 50V	4822	124	81151	2646	1uF., 20%, 63V	4822	124	21913
2539	100uF., 20%, 25V	4822	124	40207	2647	1uF., 20%, 63V	4822	124	21913
2540	47uF., 20%, 25V	4822	124	40433	2648	1uF., 20%, 63V	4822	124	21913
2541	10uF., 20%, 63V	4822	124	40248	2649	1uF., 20%, 63V	4822	124	21913
2542	10uF., 20%, 63V	4822	124	40248	2650	1uF., 20%, 63V	4822	124	21913
2543	220uF., 20%, 6.3V.	4822	124	11912	2651	1uF., 20%, 63V	4822	124	21913
2544	220uF., 20%, 6.3V.	4822	124	11912	2652	1uF., 20%, 63V	4822	124	21913
2545	100pF., 5%, NP0, 50V	5322	122	32531	2655	1uF., 20%, 63V	4822	124	21913
2546	100pF., 5%, NP0, 50V	5322	122	32531	2656	1uF., 20%, 63V	4822	124	21913
2549	22pF., 5%, 50V	5322	122	32658	2657	1uF., 20%, 63V	4822	124	21913
2550	22pF., 5%, 50V	5322	122	32658	2658	1uF., 20%, 63V	4822	124	21913
2551	100nF., Y5V 50V, +80-20%	4822	126	13838	2659	2.2uF., 20%, 50V	4822	124	22652
2552	100nF., Y5V 50V, +80-20%	4822	126	13838	2660	2.2uF., 20%, 50V	4822	124	22652
2553	47uF., 20%, 50V	4822	124	41751	2661	2.2uF., 20%, 50V	4822	124	22652
2554	47uF., 20%, 50V	4822	124	41751	2662	2.2uF., 20%, 50V	4822	124	22652
2555	100nF., Y5V 50V, +80-20%	4822	126	13838	2663	2.2uF., 20%, 50V	4822	124	22652
2556	100nF., Y5V 50V, +80-20%	4822	126	13838	2664	2.2uF., 20%, 50V	4822	124	22652
2557	47uF., 20%, 50V	4822	124	41751	2665	47nF., 5%, 250V	4822	121	43526
2558	47uF., 20%, 50V	4822	124	41751	2666	47nF., 5%, 250V	4822	121	43526
2559	33nF., 5%, 50V, X7R.	4822	126	12105	2667	47nF., 5%, 250V	4822	121	43526
2561	22uF., 100V	4822	124	40764	2668	47nF., 5%, 250V	4822	121	43526
2562	22uF., 100V	4822	124	40764	2669	47nF., 5%, 250V	4822	121	43526
2563	2200uF., 16V, 20%	4822	123	14025	2670	47nF., 5%, 250V	4822	121	43526
2564	2.2uF., 20%, 50V	4822	124	22652	2671	6.8nF., 10%, X7R, 63V	5322	122	31866
2565	2.2uF., 20%, 50V	4822	124	22652	2672	6.8nF., 10%, X7R, 63V	5322	122	31866
2566	2.2uF., 20%, 50V	4822	124	22652	2673	6.8nF., 10%, X7R, 63V	5322	122	31866
2567	4.7uF., 20%, 100V	4822	124	40769	2674	6.8nF., 10%, X7R, 63V	5322	122	31866
2568	4.7uF., 20%, 100V	4822	124	40769	2675	6.8nF., 10%, X7R, 63V	5322	122	31866
2569	100pF., 5%, NP0, 50V	5322	122	32531	2676	6.8nF., 10%, X7R, 63V	5322	122	31866
2570	100pF., 5%, NP0, 50V	5322	122	32531	2677	22nF., 10%, X7R, 63V	5322	122	32654
2571	10uF., 20%, 63V	4822	124	40248	2678	22nF., 10%, X7R, 63V	5322	122	32654
2572	10uF., 20%, 63V	4822	124	40248	2679	22nF., 10%, X7R, 63V	5322	122	32654
2573	220pF., 5%, NP0, 63V	4822	122	33575	2680	22nF., 10%, X7R, 63V	5322	122	32654
2574	220pF., 5%, NP0, 63V	4822	122	33575	2681	22nF., 10%, X7R, 63V	5322	122	32654
2575	10uF., 20%, 63V	4822	124	40248	2682	22nF., 10%, X7R, 63V	5322	122	32654
2576	10uF., 20%, 63V	4822	124	40248	2683	22nF., 10%, X7R, 63V	5322	122	32654
2577	10nF., 20%, X7R, 50V	4822	122	33177	2684	22nF., 10%, X7R, 63V	5322	122	32654
2578	10nF., 20%, X7R, 50V	4822	122	33177	2685	22nF., 10%, X7R, 63V	5322	122	32654
2579	2.2nF., 10%, X7R, 63V	4822	122	33127	2686	22nF., 10%, X7R, 63V	5322	122	32654
2580	2.2nF., 10%, X7R, 63V	4822	122	33127	2687	22nF., 10%, X7R, 63V	5322	122	32654
2581	47uF., 20%, 50V	4822	124	41751	2688	22nF., 10%, X7R, 63V	5322	122	32654
2582	47uF., 20%, 50V	4822	124	41751	2689	68nF., 5%, 63V	5322	121	42465
2583	3.3nF., 10%, X7R, 63V	4822	122	33891	2690	68nF., 5%, 63V	5322	121	42465
2584	3.3nF., 10%, X7R, 63V	4822	122	33891	2691	68nF., 5%, 63V	5322	121	42465
2585	82pF., 1%, NP0, 63V	4822	126	13695	2692	68nF., 5%, 63V	5322	121	42465
2586	82pF., 1%, NP0, 63V	4822	126	13695	2693	68nF., 5%, 63V	5322	121	42465
2593	22uF., 50V	4822	124	81151	2694	68nF., 5%, 63V	5322	121	42465
2594	22uF., 50V	4822	124	81151	2695	68nF., 5%, 63V	5322	121	42465
2595	100pF., 5%, NP0, 50V	5322	122	32531	2696	68nF., 5%, 63V	5322	121	42465
2596	100pF., 5%, NP0, 50V	5322	122	32531	2697	68nF., 5%, 63V	5322	121	42465
2599	22pF., 5%, 50V	5322	122	32658	2698	68nF., 5%, 63V	5322	121	42465
2600	22pF., 5%, 50V	5322	122	32658	2699	68nF., 5%, 63V	5322	121	42465
2603	22uF., 50V	4822	124	81151	2700	68nF., 5%, 63V	5322	121	42465
2604	22uF., 50V	4822	124	81151	2801	10uF., 50V	4822	124	22833
2605	47pF., 1%, NP0, 63V	4822	126	13692	2802	10uF., 50V	4822	124	22833
2606	47pF., 1%, NP0, 63V	4822	126	13692	2803	10uF., 50V	4822	124	22833
2607	47uF., 20%, 50V	4822	124	41751	2804	10uF., 50V	4822	124	22833
2608	47uF., 20%, 50V	4822	124	41751	2805	100nF., 10%, X7R, 50V	4822	126	14585
2610	220pF., 5%, NP0, 63V	4822	122	33575	2806	100nF., 10%, X7R, 50V	4822	126	14585
2611	100uF., 20%, 25V	4822	124	40207	2807	100nF., 10%, X7R, 50V	4822	126	14585
2612	10uF., 20%, 63V	4822	124	40248	2809	10nF., 10%, X7R, 63V	5322	122	34098
2613	10uF., 20%, 63V	4822	124	40248	2810	220uF., 10V	4822	124	12245
2614	100uF., 20%, 25V	4822	124	40207	2811	10nF., 10%, X7R, 63V	5322	122	34098
2615	22nF., 10%, X7R, 63V	5322	122	32654	2812	220uF., 20%, 25V	4822	124	80144
2616	22nF., 10%, X7R, 63V	5322	122	32654	2813	1uF., 20%, 63V	4822	124	21913
2617	10uF., 20%, 63V	4822	124	40248	2814	47pF., 1%, NP0, 63V	4822	126	13692
2618	10uF., 20%, 63V	4822	124	40248	2815	100nF., 10%, X7R, 50V	4822	126	14585
2619	100pF., 5%, NP0, 50V	5322	122	32531	2816	22nF., 10%, X7R, 63V	5322	122	32654
2620	100pF., 5%, NP0, 50V	5322	122	32531	2817	1uF., 20%, 63V	4822	124	21913
2622	100pF., 5%, NP0, 50V	5322	122	32531	2818	22nF., 10%, X7R, 63V	5322	122	32654
2623	100pF., 5%, NP0, 50V	5322	122	32531	2821	22nF., 10%, X7R, 63V	5322	122	32654
2624	100pF., 5%, NP0, 50V	5322	122	32531	2822	22nF., 10%, X7R, 63V	5322	122	32654
2625	100pF., 5%, NP0, 50V	5322	122	32531	2831	100pF., 5%, NP0, 50V	5322	122	32531
2626	100pF., 5%, NP0, 50V	5322	122	32531	2832	100nF., 10%, X7R, 50V	4822	126	14585
2627	100pF., 5%, NP0, 50V	5322	122	32531	2833	22nF., 10%, X7R, 63V	5322	122	32654
2628	100nF., 10%, X7R, 50V	4822	126	14585	2834	100pF., 5%, NP0, 50V	5322	122	32531
2629	47uF., 20%, 50V	4822	124	41751	2835	100pF., 5%, NP0, 50V	5322	122	32531
2630	100nF., 5%, 63V	5322	121	42386	2836	100pF., 5%, NP0, 50V	5322	122	32531
2631	100nF., 5%, 63V	5322	121	42386	2837	100pF., 5%, NP0, 50V	5322	122	32531
2632	100nF., 5%, 63V	5322	121	42386	2851	22pF., 5%, 50V	5322	122	32658
2633	22nF., 10%, X7R, 63V	5322	122	32654	2852	22pF., 5%, 50V	5322	122	32658
2634	22nF., 10%, X7R, 63V	5322	122	32654	2853	22uF., 50V	4822	124	81151
2635	22nF., 10%, X7R, 63V	5322	122	32654	2854	22uF., 50V	4822	124	81151
2636	100nF., 10%, X7R, 50V	4822	126	14585	2855	100pF., 5%, NP0, 50V	5322	122	32531
2637	47uF., 20%, 50V	4822	124	41751	2856	100pF., 5%, NP0, 50V	5322	122	32531
2638	100nF., 10%, X7R, 50V	4822	126	14585	2857	100nF., 10%, X7R, 50V	4822	126	14585

S = Safety Part Be sure to use exact replacement part.

2858	47uF., 20%, 50V.	4822 124 41751	3315	1.8K, 5%, 0.1W	4822 051 20182
2860	47uF., 20%, 50V.	4822 124 41751	3316	4.7 Ohm, 1%, 0.6W	4822 050 24708
2861	22nF., 10%, X7R, 63V	5322 122 32654	3319	56K, 1%, 0.1W	4822 117 11148
2862	100pF., 5%, NP0, 50V	5322 122 32531	3322	56K, 1%, 0.1W	4822 117 11148
2863	100pF., 5%, NP0, 50V	5322 122 32531	S 3323	1.8K, 5%, 0.1W	4822 051 20182
2864	100pF., 5%, NP0, 50V	5322 122 32531	3324	56K, 1%, 0.1W	4822 117 11148
2865	100pF., 5%, NP0, 50V	5322 122 32531	3326	33K, 5%, 0.1W	4822 051 20333
2866	100pF., 5%, NP0, 50V	5322 122 32531	3327	220 Ohm, 1%, 0.1W	4822 117 11503
2867	100pF., 5%, NP0, 50V	5322 122 32531	S 3328	47 Ohm, 5%, 0.33W	4822 052 10479
2868	220pF., 5%, NP0, 63V	4822 122 33575	3329	100K, 1%, 0.1W	4822 117 10837
2869	220pF., 5%, NP0, 63V	4822 122 33575	3330	10K, 1%, 0.1W	4822 117 10833
2871	10nF., 20%, X7R, 50V	4822 122 33177	3334	1K, 2%, 0.25W	4822 051 10102
2872	10nF., 20%, X7R, 50V	4822 122 33177	3335	1K, 2%, 0.25W	4822 051 10102
2873	10nF., 20%, X7R, 50V	4822 122 33177	3336	1K, 2%, 0.25W	4822 051 10102
2875	10nF., 20%, X7R, 50V	4822 122 33177	S 3337	0.22 Ohm, 5%, 1W	4822 117 11744
2876	10nF., 20%, X7R, 50V	4822 122 33177	S 3338	0.22 Ohm, 5%, 1W	4822 117 11744
2877	100nF., 5%, 63V	5322 121 42386	3339	1.5K, 1%, 0.1W	4822 117 11139
2878	100nF., 5%, 63V	5322 121 42386	3340	1.5K, 1%, 0.1W	4822 117 11139
2879	100nF., 5%, 63V	5322 121 42386	S 3341	0.22 Ohm, 5%, 1W	4822 117 11744
2880	100nF., 5%, 63V	5322 121 42386	S 3342	0.22 Ohm, 5%, 1W	4822 117 11744
2881	100nF., 5%, 63V	5322 121 42386	3343	1.5K, 1%, 0.1W	4822 117 11139
2882	100nF., 5%, 63V	5322 121 42386	S 3344	0.22 Ohm, 5%, 1W	4822 117 11744
2883	1nF., 5%, NP0, 50V	5322 126 10511	S 3345	0.22 Ohm, 5%, 1W	4822 117 11744
2884	1nF., 5%, NP0, 50V	5322 126 10511	S 3352	4.7 Ohm, 5%, 1W	4822 053 10478
2885	1nF., 5%, NP0, 50V	5322 126 10511	S 3353	4.7 Ohm, 5%, 1W	4822 053 10478
2886	1nF., 5%, NP0, 50V	5322 126 10511	S 3354	4.7 Ohm, 5%, 1W	4822 053 10478
2887	2.2nF., 10%, X7R, 63V	4822 122 33127	3356	47K, 1%, 0.1W	4822 117 10834
2888	2.2nF., 10%, X7R, 63V	4822 122 33127	3357	10K, 1%, 0.6W	4822 050 21003
2901	22uF., 50V	4822 124 81151	3358	1K, 2%, 0.25W	4822 051 10102
2902	10uF., 20%, 63V	4822 124 40248	3359	100K, 1%, 0.1W	4822 117 10837
2903	4.7pF., 5%, NP0, 50V	5322 122 32287	3360	10K, 1%, 0.1W	4822 117 10833
2904	47nF., 10%, X7R, 63V	4822 126 13751	3361	470 Ohm, 5%, 0.1W	4822 051 20471
2905	10uF., 20%, 63V	4822 124 40248	3362	470 Ohm, 5%, 0.1W	4822 051 20471
2906	470pF., 10%, 50V	5322 122 32268	3363	470 Ohm, 5%, 0.1W	4822 051 20471
2908	220nF., 80-20%, 50V	4822 126 13473	3501	15K, 1%, 0.1W	4822 116 83933
2909	4.7nF., 10%, X7R, 63V	5322 126 10223	3502	15K, 1%, 0.1W	4822 116 83933
2910	220pF., 5%, NP0, 63V	4822 122 33575	3505	15K, 5%, 0.5W	4822 116 52244
2911	22nF., 10%, X7R, 63V	5322 122 32654	3506	15K, 5%, 0.5W	4822 116 52244
2912	100uF., 20%, 10V	4822 124 41584	3509	15K, 1%, 0.1W	4822 116 83933
2913	10uF., 20%, 63V	4822 124 40248	3510	15K, 1%, 0.1W	4822 116 83933
2914	470pF., 10%, 50V	5322 122 32268	3511	100 Ohm, 5%, 0.1W	4822 051 20101
2916	220nF., 80-20%, 50V	4822 126 13473	3512	100 Ohm, 5%, 0.1W	4822 051 20101
2917	4.7nF., 10%, X7R, 63V	5322 126 10223	3513	47K, 1%, 0.1W	4822 117 10834
2918	220pF., 5%, NP0, 63V	4822 122 33575	3514	47K, 1%, 0.1W	4822 117 10834
2919	100uF., 20%, 10V	4822 124 41584	3515	470 Ohm, 5%, 0.1W	4822 051 20471
2920	220nF., 80-20%, 50V	4822 126 13473	3516	470 Ohm, 5%, 0.1W	4822 051 20471
2921	220nF., 80-20%, 50V	4822 126 13473	3517	39K, 5%, 0.1W	4822 051 20393
2922	4.7pF., 5%, NP0, 50V	5322 122 32287	3518	39K, 5%, 0.1W	4822 051 20393
2923	22uF., 50V	4822 124 81151	3519	8.2K, 5%, 0.1W	4822 051 20822
2924	10uF., 20%, 63V	4822 124 40248	3520	8.2K, 5%, 0.1W	4822 051 20822
2925	220uF., 20%, 10V	4822 124 40181	3521	39K, 5%, 0.1W	4822 051 20393
2926	100nF., 10%, X7R, 50V	4822 126 14585	3522	39K, 5%, 0.1W	4822 051 20393
2930	100pF., 5%, NP0, 50V	5322 122 32531	3523	8.2K, 5%, 0.1W	4822 051 20822
2931	100pF., 5%, NP0, 50V	5322 122 32531	3524	8.2K, 5%, 0.1W	4822 051 20822
2932	100pF., 5%, NP0, 50V	5322 122 32531	3525	39K, 5%, 0.1W	4822 051 20393
2933	100pF., 5%, NP0, 50V	5322 122 32531	3526	39K, 5%, 0.1W	4822 051 20393
2934	1nF., 5%, NP0, 50V	5322 126 10511	3527	8.2K, 5%, 0.1W	4822 051 20822
2937	220pF., 5%, NP0, 63V	4822 122 33575	3528	8.2K, 5%, 0.1W	4822 051 20822
RESISTORS					
3251	470 Ohm, 5%, 0.1W	4822 051 20471	3530	470 Ohm, 5%, 0.1W	4822 051 20471
3252	100K, 1%, 0.1W	4822 117 10837	3531	39K, 5%, 0.1W	4822 051 20393
3253	100K, 1%, 0.1W	4822 117 10837	3532	39K, 5%, 0.1W	4822 051 20393
S 3254	0.33 Ohm, 5%, 2W	4822 117 11342	3533	8.2K, 5%, 0.1W	4822 051 20822
3256	10K, 1%, 0.1W	4822 117 10833	3534	8.2K, 5%, 0.1W	4822 051 20822
S 3257	0.33 Ohm, 5%, 2W	4822 117 11342	3537	39K, 5%, 0.1W	4822 051 20393
3258	82K, 1%, 0.1W	4822 117 11149	3538	39K, 5%, 0.1W	4822 051 20393
3259	680 Ohm, 1%, 0.1W	4822 117 10361	3539	8.2K, 5%, 0.1W	4822 051 20822
3260	47K, 1%, 0.1W	4822 117 10834	3540	8.2K, 5%, 0.1W	4822 051 20822
3263	680 Ohm, 1%, 0.1W	4822 117 10361	3541	39K, 5%, 0.1W	4822 051 20393
3264	100K, 1%, 0.1W	4822 117 10837	3542	39K, 5%, 0.1W	4822 051 20393
3266	22K, 5%, 0.1W	4822 051 20223	3543	2.7K, 1%, 0.1W, 0805	4822 117 12955
3267	3.9K, 5%, 0.1W	4822 051 20392	3544	2.7K, 1%, 0.1W, 0805	4822 117 12955
3268	3.3K, 5%, 0.1W	4822 051 20332	3545	10K, 1%, 0.1W	4822 117 10833
3269	3.3K, 5%, 0.1W	4822 051 20332	3546	10K, 1%, 0.1W	4822 117 10833
S 3270	47 Ohm, 5%, 0.33W	4822 052 10479	3551	270 Ohm, 1%, 0.1W	4822 117 11504
S 3271	47 Ohm, 5%, 0.33W	4822 052 10479	3552	270 Ohm, 1%, 0.1W	4822 117 11504
3272	39K, 5%, 0.1W	4822 051 20393	3553	270 Ohm, 1%, 0.1W	4822 117 11504
S 3291	10 Ohm, 5%, 0.33W	4822 052 10109	3554	270 Ohm, 1%, 0.1W	4822 117 11504
3292	15K, 1%, 0.1W	4822 116 83933	3555	3.3K, 5%, 0.1W	4822 051 20332
3293	10K, 1%, 0.1W	4822 117 10833	3556	270 Ohm, 1%, 0.1W	4822 117 11504
3294	10K, 1%, 0.1W	4822 117 10833	3557	270 Ohm, 1%, 0.1W	4822 117 11504
3295	15K, 1%, 0.1W	4822 116 83933	3560	1K, 2%, 0.25W	4822 051 10102
S 3301	47 Ohm, 5%, 0.33W	4822 052 10479	3561	4.7 Ohm, 5%, 0.33W	4822 052 10478
3304	56K, 1%, 0.1W	4822 117 11148	3562	470 Ohm, 5%, 0.1W	4822 051 20471
3305	47K, 1%, 0.1W	4822 117 10834	3563	1K, 2%, 0.25W	4822 051 10102
3306	47K, 1%, 0.1W	4822 117 10834	3566	270 Ohm, 5%, 0.5W	4822 116 83876
3307	47K, 1%, 0.1W	4822 117 10834	3567	270 Ohm, 5%, 0.5W	4822 116 83876
3308	56K, 1%, 0.1W	4822 117 11148	3571	330K, 5%, 0.1W	4822 051 20334
3309	4.7 Ohm, 1%, 0.6W	4822 050 24708	3572	330K, 5%, 0.1W	4822 051 20334
3310	1.8K, 5%, 0.1W	4822 051 20182	3573	1K, 2%, 0.25W	4822 051 10102
3311	4.7 Ohm, 1%, 0.6W	4822 050 24708	3574	1K, 2%, 0.25W	4822 051 10102
3314	56K, 1%, 0.1W	4822 117 11148	3575	56K, 1%, 0.1W	4822 117 11148

S = Safety Part Be sure to use exact replacement part.

3576	56K, 1%, 0.1W	4822 117 11148	3682	100 Ohm, 5%, 0.1W	4822 051 20101
3577	560 Ohm, 5%, 0.1W	4822 051 20561	3683	47K, 1%, 0.1W	4822 117 10834
3578	560 Ohm, 5%, 0.1W	4822 051 20561	3684	47K, 1%, 0.1W	4822 117 10834
3579	390K, 5%, 0.1W	4822 051 20394	3685	2.2K, 1%, 0.1W	4822 117 11449
3580	390K, 5%, 0.1W	4822 051 20394	3686	2.2K, 1%, 0.1W	4822 117 11449
3581	27K, 5%, 0.1W	4822 051 20273	3687	100 Ohm, 5%, 0.1W	4822 051 20101
3582	27K, 5%, 0.1W	4822 051 20273	3688	100 Ohm, 5%, 0.1W	4822 051 20101
3583	10K, 1%, 0.1W	4822 117 10833	3689	2.2K, 1%, 0.1W	4822 117 11449
3584	10K, 1%, 0.1W	4822 117 10833	3690	2.2K, 1%, 0.1W	4822 117 11449
3585	1.5K, 1%, 0.1W	4822 117 11139	3691	2.2K, 5%, 0.5W	4822 116 52256
3586	1.5K, 1%, 0.1W	4822 117 11139	3692	2.2K, 1%, 0.1W	4822 117 11449
3587	3.9K, 5%, 0.1W	4822 051 20392	3693	2.2K, 1%, 0.1W	4822 117 11449
3588	3.9K, 5%, 0.5W	4822 116 52276	3694	2.2K, 5%, 0.5W	4822 116 52256
3589	10K, 1%, 0.1W	4822 117 10833	3695	220K 1%, 0.1W, RC12H	4822 117 13579
3590	10K, 1%, 0.1W	4822 117 10833	3696	10K, 1%, 0.1W	4822 117 10833
3591	100K, 1%, 0.1W	4822 117 10837	3697	22K, 5%, 0.5W	4822 116 52257
3592	100K, 1%, 0.1W	4822 117 10837	3698	220K 1%, 0.1W, RC12H	4822 117 13579
3593	4.7k, 5%, 0.1W	4822 051 20472	3699	10K, 1%, 0.1W	4822 117 10833
3594	4.7K, 5%, 0.1W	4822 051 20472	3700	22K, 5%, 0.1W	4822 051 20223
3595	4.7K, 5%, 0.1W	4822 051 20472	3801	68 Ohm, 1%, 0.1W	4822 117 12521
3596	4.7K, 5%, 0.1W	4822 051 20472	3802	68 Ohm, 1%, 0.1W	4822 117 12521
3597	5.6K, 5%, 0.5W	4822 116 52289	3803	68 Ohm, 1%, 0.1W	4822 117 12521
3598	5.6K, 5%, 0.5W	4822 116 52289	3804	68 Ohm, 1%, 0.1W	4822 117 12521
3601	100 Ohm, 5%, 0.1W	4822 051 20101	3805	1K, 2%, 0.25W	4822 051 10102
3602	100 Ohm, 5%, 0.1W	4822 051 20101	3806	1K, 2%, 0.25W	4822 051 10102
3603	100K, 1%, 0.1W	4822 117 10837	3809	10 Ohm, 5%, 0.1W	4822 051 20109
3604	100K, 1%, 0.1W	4822 117 10837	3810	2.2K, 1%, 0.1W	4822 117 11449
3605	12K, 1%, 0.1W	4822 117 11383	3811	10 Ohm, 5%, 0.1W	4822 051 20109
3606	12K, 1%, 0.1W	4822 117 11383	3812	470 Ohm, 5%, 0.1W	4822 051 20471
3607	33K, 5%, 0.1W	4822 051 20333	3813	120 Ohm, 5%, 0.1W	4822 051 20121
3608	33K, 5%, 0.1W	4822 051 20333	3814	10 Ohm, 5%, 0.1W	4822 051 20109
3609	120 Ohm, 5%, 0.1W	4822 051 20121	3815	68 Ohm, 1%, 0.1W	4822 117 12521
3610	120 Ohm, 5%, 0.1W	4822 051 20121	3816	68 Ohm, 1%, 0.1W	4822 117 12521
3611	47K, 1%, 0.1W	4822 117 10834	3817	270 Ohm, 1%, 0.1W	4822 117 11504
3612	47K, 1%, 0.1W	4822 117 10834	3818	220 Ohm, 1%, 0.1W	4822 117 11503
3613	470 Ohm, 5%, 0.1W	4822 051 20471	3819	10 Ohm, 5%, 0.1W	4822 051 20109
3614	470 Ohm, 5%, 0.1W	4822 051 20471	3820	100 Ohm, 5%, 1W	4822 053 10101
3615	470 Ohm, 5%, 0.1W	4822 051 20471	3821	100 Ohm, 5%, 1W	4822 053 10101
3616	470 Ohm, 5%, 0.1W	4822 051 20471	3831	100 Ohm, 5%, 0.1W	4822 051 20101
3618	47K, 1%, 0.1W	4822 117 10834	3832	47 Ohm, 5%, 0.1W	4822 051 20479
3619	47K, 1%, 0.1W	4822 117 10834	3834	100 Ohm, 5%, 0.1W	4822 051 20101
3620	100 Ohm, 5%, 0.5W	4822 116 52175	3851	3.3K, 5%, 0.1W	4822 051 20332
3621	100 Ohm, 5%, 0.1W	4822 051 20101	3852	22K, 5%, 0.1W	4822 051 20223
3622	120 Ohm, 5%, 0.1W	4822 051 20121	3853	10K, 1%, 0.1W	4822 117 10833
3623	120 Ohm, 5%, 0.1W	4822 051 20121	3854	4.7K, 5%, 0.1W	4822 051 20472
S 3627	10 Ohm, 5%, 0.33W	4822 052 10109	3855	270 Ohm, 5%, 0.5W	4822 116 83876
S 3629	10 Ohm, 5%, 0.33W	4822 052 10109	3856	270 Ohm, 1%, 0.1W	4822 117 11504
3630	1K, 1%, 0.4W	4822 050 11002	3857	100K, 1%, 0.1W	4822 117 10837
3631	1K, 1%, 0.4W	4822 050 11002	3858	100K, 1%, 0.1W	4822 117 10837
3632	1K, 1%, 0.4W	4822 050 11002	3859	10K, 1%, 0.1W	4822 117 10833
3633	1K, 2%, 0.25W	4822 051 10102	3860	10K, 1%, 0.1W	4822 117 10833
3634	1K, 2%, 0.25W	4822 051 10102	3871	3.3K, 5%, 0.1W	4822 051 20332
3635	1K, 2%, 0.25W	4822 051 10102	3872	3.3K, 5%, 0.1W	4822 051 20332
3636	470 Ohm, 5%, 0.1W	4822 051 20471	3873	1K, 2%, 0.25W	4822 051 10102
3637	470 Ohm, 5%, 0.1W	4822 051 20471	3874	1K, 2%, 0.25W	4822 051 10102
3641	100K, 1%, 0.1W	4822 117 10837	3875	3.3K, 5%, 0.1W	4822 051 20332
3642	100K, 1%, 0.1W	4822 117 10837	3877	1K, 2%, 0.25W	4822 051 10102
3643	100K, 1%, 0.1W	4822 117 10837	3878	1K, 2%, 0.25W	4822 051 10102
3644	100K, 1%, 0.1W	4822 117 10837	3879	3.3K, 5%, 0.1W	4822 051 20332
3645	56K, 1%, 0.1W	4822 117 11148	3880	3.3K, 5%, 0.1W	4822 051 20332
3646	56K, 1%, 0.1W	4822 117 11148	3881	1K, 2%, 0.25W	4822 051 10102
3649	100K, 1%, 0.1W	4822 117 10837	3882	1K, 2%, 0.25W	4822 051 10102
3650	100K, 1%, 0.1W	4822 117 10837	3883	12K, 1%, 0.1W	4822 117 11383
3651	56K, 1%, 0.1W	4822 117 11148	3884	12K, 1%, 0.1W	4822 117 11383
3652	56K, 1%, 0.1W	4822 117 11148	3885	12K, 1%, 0.1W	4822 117 11383
3655	100K, 1%, 0.1W	4822 117 10837	3886	12K, 1%, 0.1W	4822 117 11383
3656	100K, 1%, 0.1W	4822 117 10837	3887	12K, 1%, 0.1W	4822 117 11383
3657	56K, 1%, 0.1W	4822 117 11148	3888	12K, 1%, 0.1W	4822 117 11383
3658	56K, 1%, 0.1W	4822 117 11148	3889	2.2K, 1%, 0.1W	4822 117 11449
3659	2.7K, 1%, 0.1W, 0805	4822 117 12955	3890	2.2K, 1%, 0.1W	4822 117 11449
3660	2.7K, 1%, 0.1W, 0805	4822 117 12955	3891	8.2K, 5%, 0.1W	4822 051 20822
3661	5.6K, 5%, 0.1W, 0805	4822 051 20562	3892	8.2K, 5%, 0.1W	4822 051 20822
3662	5.6K, 5%, 0.1W, 0805	4822 051 20562	3893	8.2K, 5%, 0.1W	4822 051 20822
3663	2.7K, 1%, 0.1W, 0805	4822 117 12955	3895	8.2K, 5%, 0.1W	4822 051 20822
3664	2.7K, 1%, 0.1W, 0805	4822 117 12955	3896	8.2K, 5%, 0.1W	4822 051 20822
3665	5.6K, 5%, 0.1W, 0805	4822 051 20562	S 3901	47 Ohm, 5%, 0.33W	4822 052 10479
3666	5.6K, 5%, 0.1W, 0805	4822 051 20562	3902	56K, 1%, 0.1W	4822 117 11148
3667	2.7K, 1%, 0.1W, 0805	4822 117 12955	3903	47K, 1%, 0.1W	4822 117 10834
3668	2.7K, 1%, 0.1W, 0805	4822 117 12955	3904	47K, 5%, 0.5W	4822 116 83884
3669	5.6K, 5%, 0.1W, 0805	4822 051 20562	3905	4.7 Ohm, 1%, 0.6W	4822 050 24708
3670	5.6K, 5%, 0.1W, 0805	4822 051 20562	3906	56K, 1%, 0.1W	4822 117 11148
3671	47K, 1%, 0.1W	4822 117 10834	3908	1.8K, 5%, 0.1W	4822 051 20182
3672	47K, 1%, 0.1W	4822 117 10834	3910	4.7 Ohm, 1%, 0.6W	4822 050 24708
3673	2.2K, 1%, 0.1W	4822 117 11449	3911	56K, 1%, 0.1W	4822 117 11148
3674	2.2K, 1%, 0.1W	4822 117 11449	3913	1.8K, 5%, 0.1W	4822 051 20182
3675	100 Ohm, 5%, 0.1W	4822 051 20101	3914	56K, 1%, 0.1W	4822 117 11148
3676	100 Ohm, 5%, 0.1W	4822 051 20101	S 3915	47 Ohm, 5%, 0.33W	4822 052 10479
3677	47K, 1%, 0.1W	4822 117 10834	S 3916	4.7 Ohm, 5%, 1W	4822 053 10478
3678	47K, 1%, 0.1W	4822 117 10834	3917	33K, 1%, 0.6W	4822 050 23303
3679	2.2K, 1%, 0.1W	4822 117 11449	3918	220 Ohm, 1%, 0.1W	4822 117 11503
3680	2.2K, 1%, 0.1W	4822 117 11449	S 3919	4.7 Ohm, 5%, 1W	4822 053 10478
3681	100 Ohm, 5%, 0.1W	4822 051 20101	3920	100K, 1%, 0.1W	4822 117 10837

S = Safety Part Be sure to use exact replacement part.

3921	1K, 2%, 0.25W	4822 051 10102	4832	0 Ohm Jumper, (0805)	4822 051 20008
3922	1K, 2%, 0.25W	4822 051 10102	4835	0 Ohm Jumper, (0805)	4822 051 20008
3925	10K, 1%, 0.1W	4822 117 10833	4902	0 Ohm Jumper, (0805)	4822 051 20008
S 3926	0.22 Ohm, 5%, 1W	4822 117 11744	4903	0 Ohm Jumper, (0805)	4822 051 20008
S 3927	0.22 Ohm, 5%, 1W	4822 117 11744	4904	0 Ohm Jumper, (0805)	4822 051 20008
3928	1.5K, 1%, 0.1W	4822 117 11139	4905	0 Ohm Jumper, (0805)	4822 051 20008
3929	1.5K, 1%, 0.1W	4822 117 11139	4907	0 Ohm Jumper, (0805)	4822 051 20008
S 3930	0.22 Ohm, 5%, 1W	4822 117 11744	4908	0 Ohm Jumper, (0805)	4822 051 20008
S 3931	0.22 Ohm, 5%, 1W	4822 117 11744	4909	0 Ohm Jumper, (0805)	4822 051 20008
3935	1K, 2%, 0.25W	4822 051 10102	4910	0 Ohm Jumper, (0805)	4822 051 20008
3936	100K, 1%, 0.1W	4822 117 10837	4914	0 Ohm Jumper, (0805)	4822 051 20008
3937	10K, 1%, 0.1W	4822 117 10833	4915	0 Ohm Jumper, (0805)	4822 051 20008
3938	2.2K, 1%, 0.1W	4822 117 11449	4916	0 Ohm Jumper, (0805)	4822 051 20008
3939	2.2K, 1%, 0.1W	4822 117 11449	4917	0 Ohm Jumper, (0805)	4822 051 20008
3940	220 Ohm, 1%, 0.1W	4822 117 11503	4918	0 Ohm Jumper, (0805)	4822 051 20008
3941	220 Ohm, 1%, 0.1W	4822 117 11503		SEMICONDUCTORS	
3943	10K, 1%, 0.1W	4822 117 10833	6251	Diode, D5SBA20	4822 130 82078
3944	220 Ohm, 1%, 0.1W	4822 117 11503	6257	Diode, 1N4003G	4822 130 31878
3945	220 Ohm, 1%, 0.1W	4822 117 11503	6258	Diode, 1N4003G	4822 130 31878
3946	470 Ohm, 5%, 0.1W	4822 051 20471	6259	Diode, 1N4003G	4822 130 31878
3947	470 Ohm, 5%, 0.1W	4822 051 20471	6260	IC, Regulator, L7812CP	4822 209 33575
3948	220 Ohm, 1%, 0.1W	4822 117 11503	6261	Diode, 1N4003G	4822 130 31878
3949	220 Ohm, 1%, 0.1W	4822 117 11503	6262	Diode, 1N4003G	4822 130 31878
3950	1.8K, 5%, 0.1W	4822 051 20182	6263	Diode, 1N4003G	4822 130 31878
3951	1.8K, 5%, 0.1W	4822 051 20182	6265	IC, Regulator, L7805CP	4822 209 31841
3952	100 Ohm, 5%, 0.1W	4822 051 20101	6267	IC, Regulator, L7805CP	4822 209 31841
3953	100 Ohm, 5%, 0.1W	4822 051 20101	6268	Diode, 1N4003G	4822 130 31878
3954	100 Ohm, 5%, 0.1W	4822 051 20101	6270	Diode, BZX79-B6V8	4822 130 34278
3955	100 Ohm, 5%, 0.1W	4822 051 20101	6271	Diode, 1N4148	4822 130 30621
3956	100K, 5%, 0.5W	4822 116 52234	6274	Diode, 1N4003G	4822 130 31878
4251	0 Ohm Jumper, (0805)	4822 051 20008	6275	Diode, 1N4003G	4822 130 31878
4252	0 Ohm Jumper, (0805)	4822 051 20008	6276	Diode, BZX79-B5V6	4822 130 34173
4254	0 Ohm Jumper, (0805)	4822 051 20008	6279	Diode, 1N4148	4822 130 30621
4255	0 Ohm Jumper, (0805)	4822 051 20008	6280	Diode, BZX79-B10	4822 130 61219
4256	0 Ohm Jumper, (0805)	4822 051 20008	6281	Diode, BZX79-B22	4822 130 34441
4257	0 Ohm Jumper, (0805)	4822 051 20008	6289	Diode, 1N4148	4822 130 30621
4258	0 Ohm Jumper, (0805)	4822 051 20008	6290	Diode, 1N4148	4822 130 30621
4260	0 Ohm Jumper, (0805)	4822 051 20008	6304	Diode, BZX79-B3V3	5322 130 31504
4283	0 Ohm Jumper, (0805)	4822 051 20008	6305	Diode, 1N4148	4822 130 30621
4284	0 Ohm Jumper, (0805)	4822 051 20008	6501	Diode, 1N4148	4822 130 30621
4285	0 Ohm Jumper, (0805)	4822 051 20008	6601	Diode, 1N4148	4822 130 30621
4287	0 Ohm Jumper, (0805)	4822 051 20008	6602	Diode, 1N4148	4822 130 30621
4320	0 Ohm Jumper, (0805)	4822 051 20008	6641	Diode, 1N4148	4822 130 30621
4506	0 Ohm Jumper, (0805)	4822 051 20008	6642	Diode, 1N4148	4822 130 30621
4513	0 Ohm Jumper, (0805)	4822 051 20008	6643	Diode, 1N4148	4822 130 30621
4514	0 Ohm Jumper, (0805)	4822 051 20008	6644	Diode, 1N4148	4822 130 30621
4515	0 Ohm Jumper, (0805)	4822 051 20008	6645	Diode, 1N4148	4822 130 30621
4516	0 Ohm Jumper, (0805)	4822 051 20008	6646	Diode, 1N4148	4822 130 30621
4517	0 Ohm Jumper, (0805)	4822 051 20008	6647	Diode, 1N4148	4822 130 30621
4518	0 Ohm Jumper, (0805)	4822 051 20008	6648	Diode, 1N4148	4822 130 30621
4519	0 Ohm Jumper, (0805)	4822 051 20008	6649	Diode, 1N4003G	4822 130 31878
4520	0 Ohm Jumper, (0805)	4822 051 20008	S 6650	Diode, BZX79-B10	4822 130 61219
4521	0 Ohm Jumper, (0805)	4822 051 20008	6801	Diode, BZX79-B6V8	4822 130 34278
4522	0 Ohm Jumper, (0805)	4822 051 20008	6802	Diode, BZX79-B6V8	4822 130 34278
4523	0 Ohm Jumper, (0805)	4822 051 20008	6803	Diode, BZX79-B6V8	4822 130 34278
4524	0 Ohm Jumper, (0805)	4822 051 20008	6804	Diode, BZX79-B6V8	4822 130 34278
4526	0 Ohm Jumper, (0805)	4822 051 20008	6805	Diode, BZX79-B6V8	4822 130 34278
4528	0 Ohm Jumper, (0805)	4822 051 20008	6806	Diode, BZX79-B6V8	4822 130 34278
4529	0 Ohm Jumper, (0805)	4822 051 20008	6807	Diode, BZX79-B6V8	4822 130 34278
4530	0 Ohm Jumper, (0805)	4822 051 20008	6808	Diode, BZX79-B6V8	4822 130 34278
4531	0 Ohm Jumper, (0805)	4822 051 20008	6809	Diode, 1N4148	4822 130 30621
4532	0 Ohm Jumper, (0805)	4822 051 20008	6810	Diode, BZX79-B5V1	4822 130 34233
4533	0 Ohm Jumper, (0805)	4822 051 20008	6811	Diode, BZX79-B8V2	4822 130 34382
4537	0 Ohm Jumper, (0805)	4822 051 20008	6831	Diode, 1N4148	4822 130 30621
4538	0 Ohm Jumper, (0805)	4822 051 20008	6832	Diode, 1N4148	4822 130 30621
4539	0 Ohm Jumper, (0805)	4822 051 20008	6905	Diode, BZX79-B15	4822 130 34281
4540	0 Ohm Jumper, (0805)	4822 051 20008	7253	Transistor, BC847B	4822 130 60511
4541	0 Ohm Jumper, (0805)	4822 051 20008	7255	Transistor, BC856B	4822 130 60373
4542	0 Ohm Jumper, (0805)	4822 051 20008	7256	Transistor, BC847B	4822 130 60511
4543	0 Ohm Jumper, (0805)	4822 051 20008	7257	Transistor, BC327-25	4822 130 41246
4544	0 Ohm Jumper, (0805)	4822 051 20008	7258	Transistor, BC327-25	4822 130 41246
4545	0 Ohm Jumper, (0805)	4822 051 20008	7259	Transistor, BC847B	4822 130 60511
4548	0 Ohm Jumper, (0805)	4822 051 20008	7260	Transistor, BC847B	4822 130 60511
4550	0 Ohm Jumper, (0805)	4822 051 20008	7261	Transistor, BC856B	4822 130 60373
4551	0 Ohm Jumper, (0805)	4822 051 20008	7301	IC, STK496-270	4822 209 17447
4552	0 Ohm Jumper, (0805)	4822 051 20008	7304	Transistor, BC847B	4822 130 60511
4553	0 Ohm Jumper, (0805)	4822 051 20008	7305	Transistor, BC847B	4822 130 60511
4555	0 Ohm Jumper, (0805)	4822 051 20008	7306	Transistor, BC847B	4822 130 60511
4556	0 Ohm Jumper, (0805)	4822 051 20008	7307	Transistor, BC847B	4822 130 60511
4557	0 Ohm Jumper, (0805)	4822 051 20008	7309	Transistor, BC856B	4822 130 60373
4558	0 Ohm Jumper, (0805)	4822 051 20008	7310	Transistor, BC847B	4822 130 60511
4559	0 Ohm Jumper, (0805)	4822 051 20008	7501	IC, LC7821	4822 209 72748
4560	0 Ohm Jumper, (0805)	4822 051 20008	7503	IC, NJM4560M	4822 209 83357
S 4563	1 Ohm, 5%	4822 117 11151	7504	IC, NJM4560M	4822 209 83357
4564	0 Ohm Jumper, (0805)	4822 051 20008	7571	IC, NJM4560DD	4822 209 70157
4565	0 Ohm Jumper, (0805)	4822 051 20008	7572	IC, LC7821	4822 209 72748
4566	0 Ohm Jumper, (0805)	4822 051 20008	7601	IC, NJM4556MB	4822 209 31378
4642	0 Ohm Jumper, (0805)	4822 051 20008	7621	Transistor, BC817-40	4822 130 42615
4644	0 Ohm Jumper, (0805)	4822 051 20008	7622	Transistor, BC817-40	4822 130 42615
4651	0 Ohm Jumper, (0805)	4822 051 20008	7641	IC, TDA7437T	4822 209 17386
4652	0 Ohm Jumper, (0805)	4822 051 20008	7642	IC, TDA7437T	4822 209 17386
4653	0 Ohm Jumper, (0805)	4822 051 20008	7643	IC, TDA7437T	4822 209 17386

S = Safety Part Be sure to use exact replacement part.

7644	Transistor, BC337	4822	130	40855
7651	Transistor, BC817-40	4822	130	42615
7652	Transistor, BC817-40	4822	130	42615
7653	Transistor, BC817-40	4822	130	42615
7654	Transistor, BC817-40	4822	130	42615
7655	Transistor, BC817-40	4822	130	42615
7656	Transistor, BC817-40	4822	130	42615
7657	Transistor, BC856B	4822	130	60373
7658	Transistor, BC856B	4822	130	60373
7660	IC, NJM4560M	4822	209	83357
7661	Transistor, BC817-40	4822	130	42615
7662	Transistor, BC817-40	4822	130	42615
7801	Transistor, BC847B	4822	130	60511
S 7802	Transistor, BC557B	4822	130	44568
7803	IC, STV6401	4822	209	16886
7901	IC, STK496-070	4822	209	17385
7902	Transistor, BC847B	4822	130	60511
7903	Transistor, BC847B	4822	130	60511
7904	Transistor, BC847B	4822	130	60511
7908	Transistor, BC856B	4822	130	60373
7909	Transistor, BC847B	4822	130	60511
7910	Transistor, BD242BFP	9322	139	22687

EXPLODED VIEW PARTS

	EXPLODED VIEW PARTS			
1	FRONT CABINET ASM. FR965/17	3104	217	52930
2	BUTTON HINGE ASM. SURROUND	4822	410	12442
3	BUTTONS HINGE TUNER	4822	410	12435
4	BUTTON HINGE ASM. MENU	4822	410	12443
5	BUTTONS HINGE BASS TREBLE	4822	410	12436
6	BUTTONS EASY LINK	4822	410	12437
8	LIGHT GUIDE SURROUND	4822	380	10274
9	LIGHT GUIDE VIRTUAL/HALL	3104	214	38460
10	LIGHT GUIDE SELECTOR	4822	380	10277
11	ORN. PLATE ASM. FR960/01/17	3104	217	52450
12	RING KNOB, VOLUME	3104	217	52130
13	RING KNOB, SOURCE SELECTOR	3104	217	52140
14	WINDOW DISPLAY ASM. FR960/01/17	3104	217	52260
25	KNOB, VOLUME (BL)	4822	410	12438
26	KNOB, SOURCE SELECTOR	4822	410	12439
27	KNOB, MENU NAV (BL)	4822	410	12441
28	BADGE, PHILIPS	4822	459	10887
36	LEG, SILVER	4822	691	10773
38	LEG, SILVER	4822	691	10773
115	POWER ROD	4822	535	10638
116	POWER CAP.	4822	462	11176
117	BUSH	4822	532	60948
125	COVERPLATE	4822	442	01817
1001	FRONT DISPLAY PANEL	0000	0--	-- --
1002	MONO BOARD ASSEMBLY	0000	0--	-- --
1003	MULTI CHANNEL DECODING	3104	217	05750
1004	MAINS BOARD ASSEMBLY	0000	0--	-- --
1005	EC05 TUNER PANEL	0000	0--	-- --
S 5001	TRANSFORMER, FR965/17 5 X 50W	3104	218	31000
8002	FLEXIBLE FOIL, 15P 220MM	4822	320	12706
S 8020	MAINSCORD UL	3139	118	77230
AC01	HOME CINEMA SPEAKER 60W	3104	219	04220
AC02	HOME CINEMA CENTER SPEAKER 60W	3104	219	04200
AC03	SUBWOOFER FB201V/17	3104	219	03730
AC04	CORD SET, L/R BOX	4822	320	12719
AC05	CORD SET, CENTER SPEAKER	4822	320	12721
AC06	CORD SET, SURROUND SPEAKER	4822	320	12722
AC07	FM AERIAL, 300 Ohm	4822	320	11094
AC08	P50 ADAPTOR	4822	263	21206
AC09	AM ANTENNA FRAME	4822	303	50082
AC10	REMOTE CONTROL	3104	219	03770
AC11	ASSEMBLY CINCH/CINCH 1M	4822	321	61452
AC12	IFU MX960/37 (OWNER'S MANUAL)	3104	215	36260

S = Safety Part Be sure to use exact replacement part.